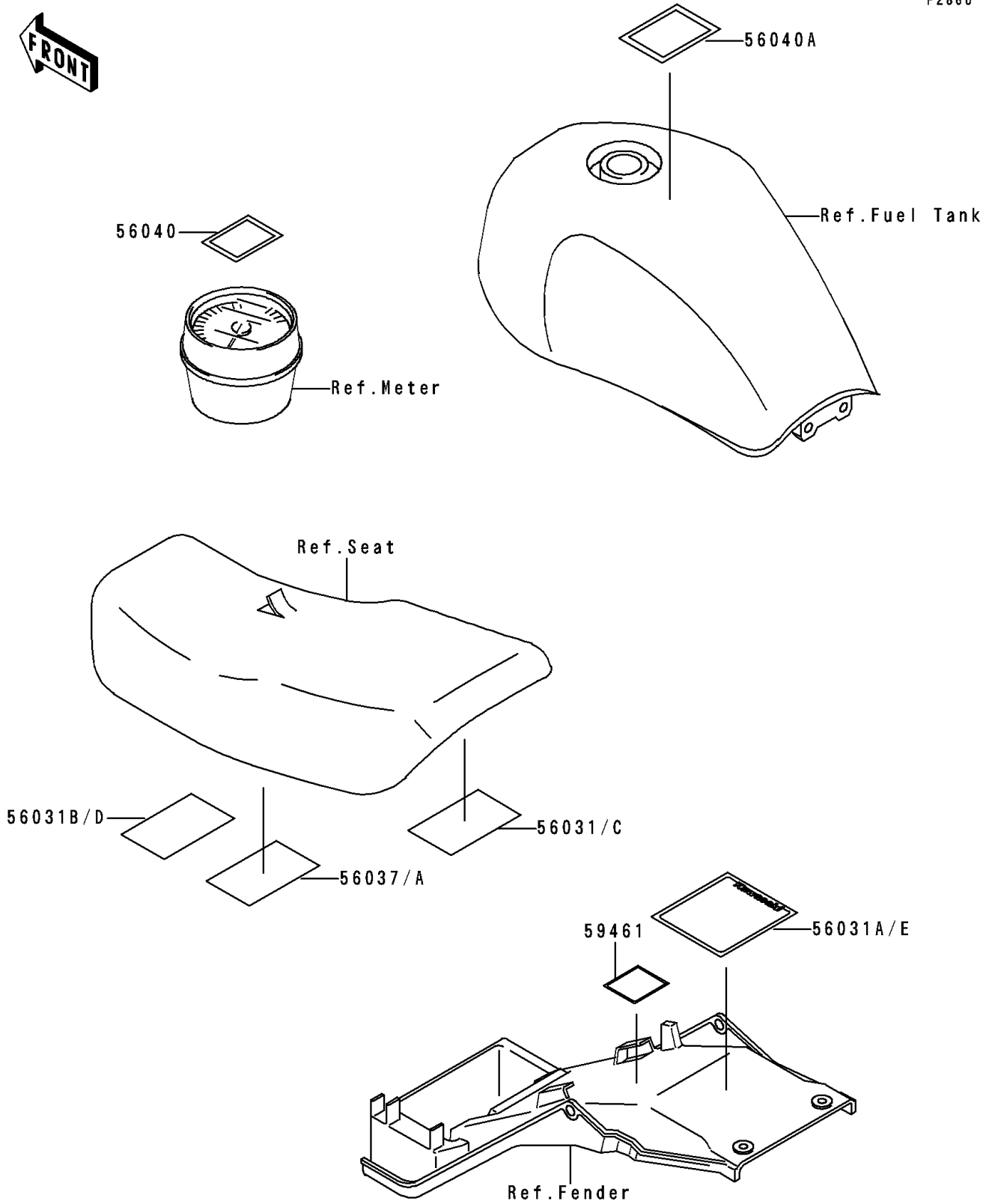


1991 Zephyr 750 PARTS DIAGRAM

Label

F2860



1991 Zephyr 750 PARTS LIST

Label

ITEM NAME	PART NUMBER	QUANTITY
LABEL-MANUAL,OIL & OIL FILTER (Ref # 56031)	56031-1124	1
LABEL-MANUAL,DAILY SAFETY (Ref # 56031A)	56031-1737	1
LABEL-MANUAL,CHAIN (Ref # 56031B)	56031-1739	1
LABEL-MANUAL,OIL&OIL FILTER (Ref # 56031C)	56031-1746	1
LABEL-MANUAL,CHAIN (Ref # 56031D)	56031-1747	1
LABEL-MANUAL,DAILY SAFETY (Ref # 56031E)	56031-1748	1
LABEL-SPECIFICATION,TIRE&LOAD (Ref # 56037)	56037-1528	1
LABEL-SPECIFICATION,TIRE&LOAD (Ref # 56037A)	56037-1529	1
LABEL-WARNING,BREAK IN CAUTION (Ref # 56040)	56040-1007	1
LABEL-WARNING,EVAPO (Ref # 56040A)	56040-1121	1
LABEL-CERTIFICATION,EVAPO ROUT (Ref # 59461)	59461-1491	1