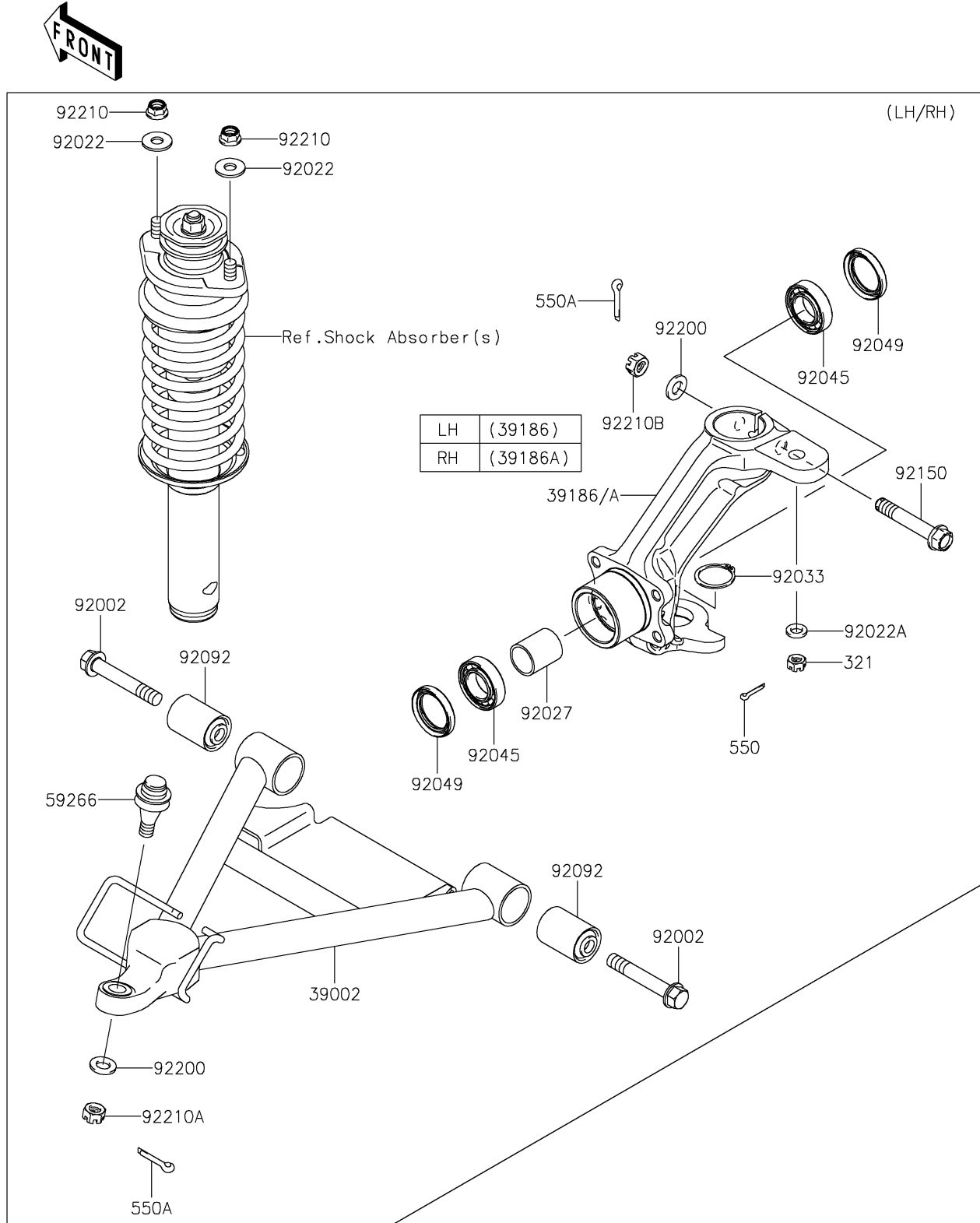


# 2024 MULE™ 4010 TRANS4x4® FE PARTS DIAGRAM

Front Suspension

F2152



## 2024 MULE™ 4010 TRANS4x4® FE PARTS LIST

### Front Suspension

| ITEM NAME                           | PART NUMBER | QUANTITY |
|-------------------------------------|-------------|----------|
| ARM-COMP-SUSP (Ref # 39002)         | 39002-0003  | 2        |
| KNUCKLE,FR,LH (Ref # 39186)         | 39186-0327  | 1        |
| KNUCKLE,FR,RH (Ref # 39186A)        | 39186-0328  | 1        |
| JOINT-BALL (Ref # 59266)            | 59266-1080  | 2        |
| BOLT,FLANGED,12X75 (Ref # 92002)    | 92002-1661  | 4        |
| WASHER,10.5X26X2.3 (Ref # 92022)    | 92022-044   | 4        |
| WASHER,10.5X18X2.5 (Ref # 92022A)   | 92022-1876  | 2        |
| COLLAR,L=34.5 (Ref # 92027)         | 92027-1538  | 2        |
| RING-SNAP,C-TYPE,32MM (Ref # 92033) | 92033-1262  | 2        |
| BEARING-BALL (Ref # 92045)          | 92045-3707  | 4        |
| SEAL-OIL,SD35X47X7HS (Ref # 92049)  | 92049-1513  | 4        |
| BUSHING-RUBBER (Ref # 92092)        | 92092-1065  | 4        |
| BOLT,FLANGED,12X72 (Ref # 92150)    | 92150-1356  | 2        |
| WASHER,12.3X23X2.3 (Ref # 92200)    | 92200-1004  | 4        |
| NUT,LOCK,FLANGED,10MM (Ref # 92210) | 92210-0276  | 4        |
| NUT,CASTLE,12MM (Ref # 92210A)      | 92210-0395  | 2        |
| NUT,12MM (Ref # 92210B)             | 92210-7501  | 2        |
| NUT-CASTLE (Ref # 321)              | 321BA1000   | 2        |
| PIN-COTTER,2.0X22 (Ref # 550)       | 550AA2022   | 2        |
| PIN-COTTER,3.0X25 (Ref # 550A)      | 550AA3025   | 4        |