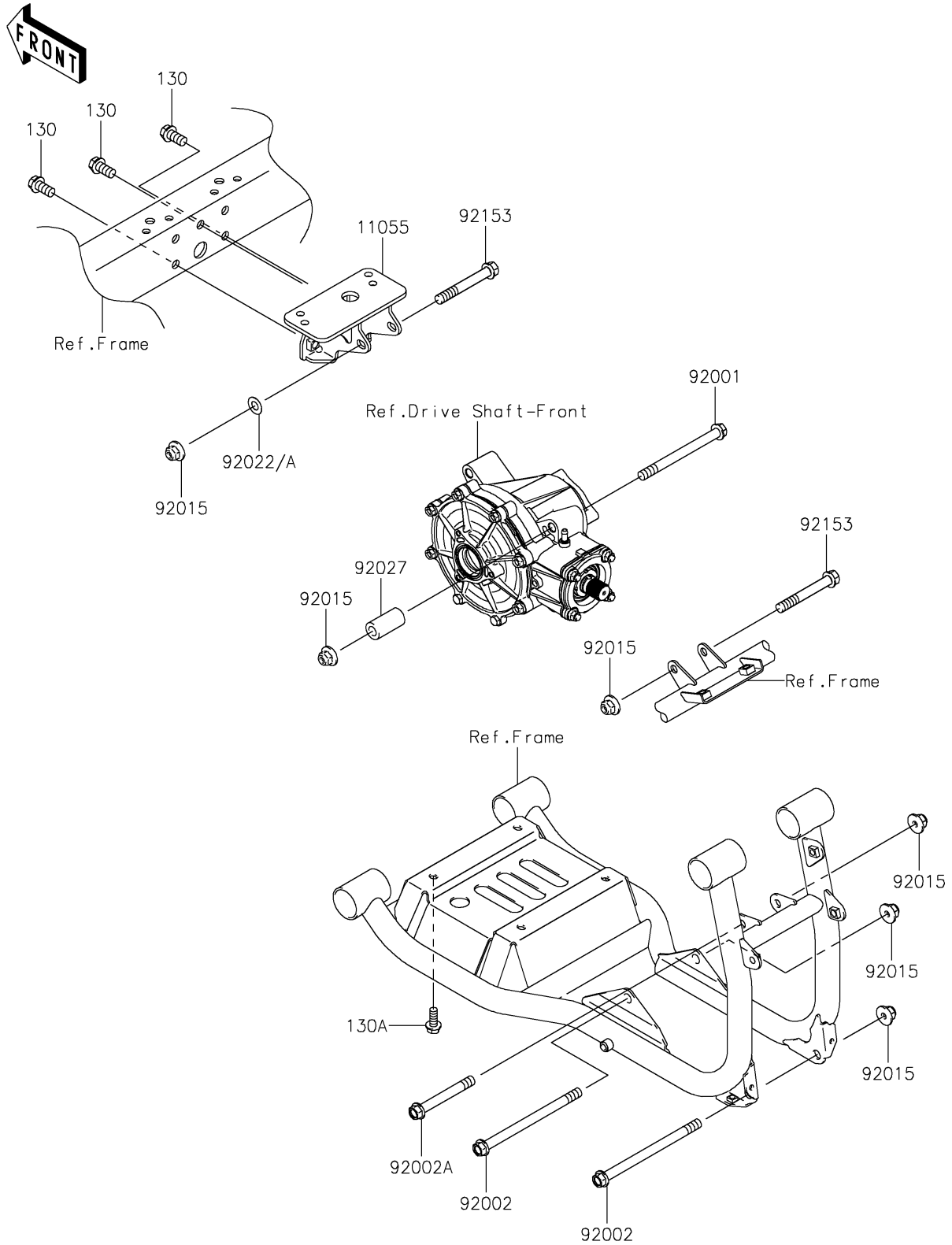


# 2024 MULE™ 4010 4x4 FE PARTS DIAGRAM

Engine Mount

F2122



## 2024 MULE™ 4010 4x4 FE PARTS LIST

### Engine Mount

| ITEM NAME                             | PART NUMBER | QUANTITY |
|---------------------------------------|-------------|----------|
| BRACKET,FRONT GEAR CASE (Ref # 11055) | 11055-1469  | 1        |
| BOLT,FLANGED,10X115 (Ref # 92001)     | 92001-1603  | 1        |
| BOLT,10X145 (Ref # 92002)             | 92002-1348  | 2        |
| BOLT,FLANGED,10X80 (Ref # 92002A)     | 92002-1764  | 1        |
| NUT,LOCK,10MM (Ref # 92015)           | 92015-1597  | 6        |
| WASHER,10.2X20X0.5 (Ref # 92022)      | 92022-1649  | AR       |
| WASHER,10.5X20X1 (Ref # 92022A)       | 92022-239   | AR       |
| COLLAR,11X20X39 (Ref # 92027)         | 92027-1518  | 1        |
| BOLT,FLANGED,10X75 (Ref # 92153)      | 92153-1384  | 2        |
| BOLT-FLANGED,10X20 (Ref # 130)        | 130BA1020   | 3        |
| BOLT-FLANGED,8X20 (Ref # 130A)        | 130CA0820   | 4        |