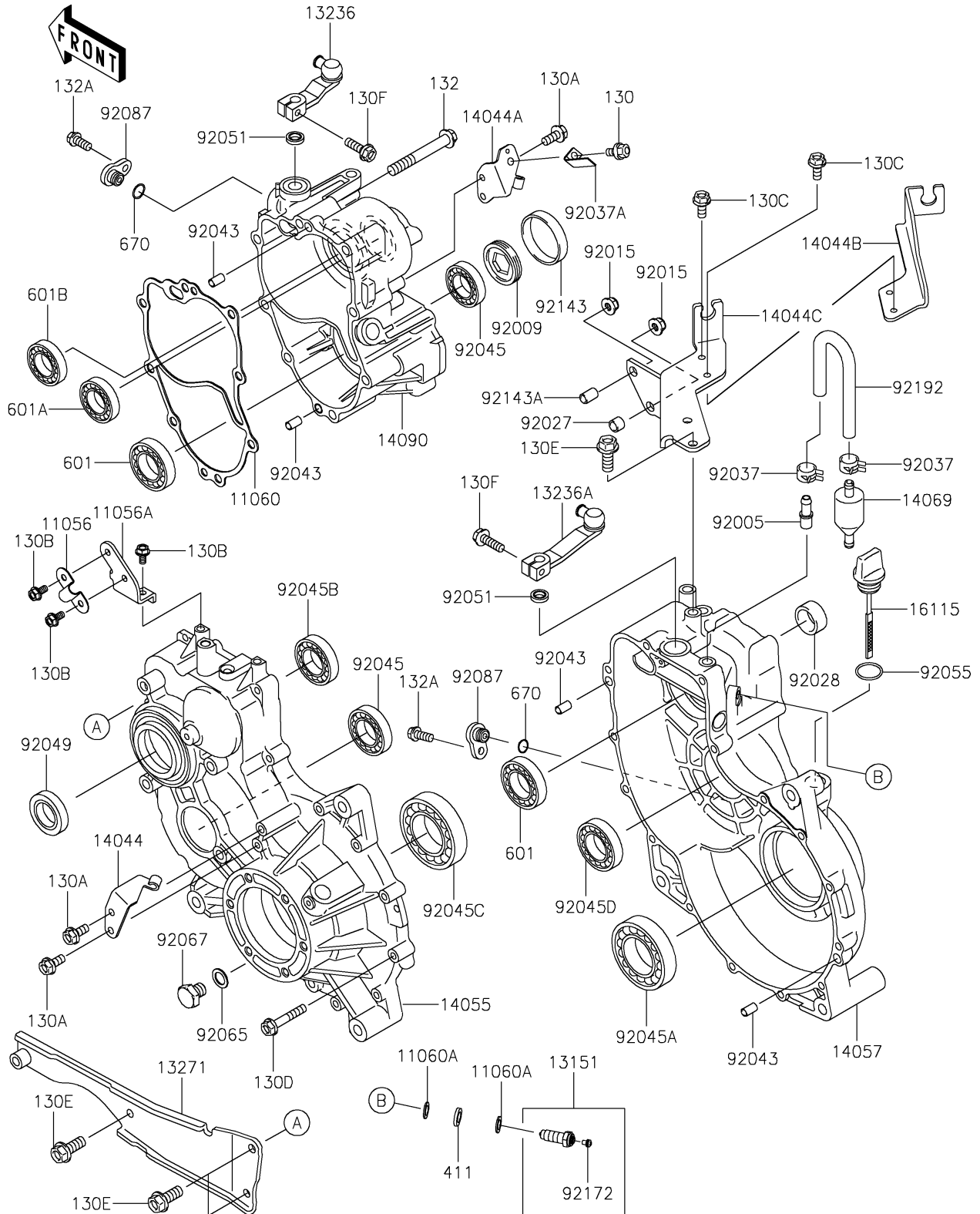


# 2024 MULE™ 4010 4x4 FE PARTS DIAGRAM

Gear Box

E1450



## 2024 MULE™ 4010 4x4 FE PARTS LIST

### Gear Box

ITEM NAME	PART NUMBER	QUANTITY
BRACKET,OIL PIPE (Ref # 11056)	11056-4139	1
BRACKET,OIL PIPE (Ref # 11056A)	11056-4140	1
GASKET,GEAR CASE COVER (Ref # 11060)	11060-1310	1
GASKET (Ref # 11060A)	11060-1966	2
SWITCH-COMP (Ref # 13151)	13151-1093	1
LEVER-COMP (Ref # 13236)	13236-1363	1
LEVER-COMP (Ref # 13236A)	13236-1372	1
PLATE (Ref # 13271)	13271-1604	1
HOLDER-CABLE (Ref # 14044)	14044-0003	1
HOLDER-CABLE (Ref # 14044A)	14044-0004	1
HOLDER-CABLE,HI/LOW (Ref # 14044B)	14044-1075	1
HOLDER-CABLE (Ref # 14044C)	14044-1098	1
CASE-GEAR,LH (Ref # 14055)	14055-0035	1
CASE-COMP-GEAR,RH (Ref # 14057)	14057-0011	1
BREATHER (Ref # 14069)	14069-1051	1
COVER,GEAR CASE,HI/LOW (Ref # 14090)	14090-1238	1
CAP-OIL FILLER (Ref # 16115)	16115-1060	1
FITTING,BREATHER (Ref # 92005)	92005-1127	1
SCREW,55MM (Ref # 92009)	92009-1290	1
NUT,8MM (Ref # 92015)	92015-1432	2
COLLAR,8.8X12X9 (Ref # 92027)	92027-1568	1
BUSHING,23X30X13 (Ref # 92028)	92028-132	1
CLAMP,TUBE (Ref # 92037)	92037-1505	2
CLAMP (Ref # 92037A)	92037-1680	1
PIN,6.2X8X14 (Ref # 92043)	92043-1263	4
BEARING-BALL,TMB304CCM (Ref # 92045)	92045-1142	2
BEARING-BALL,6010CM (Ref # 92045A)	92045-1162	1
BEARING-BALL,62/28 (Ref # 92045B)	92045-1207	1
BEARING-BALL,6210CM (Ref # 92045C)	92045-1213	1

## 2024 MULE™ 4010 4x4 FE PARTS LIST

### Gear Box

ITEM NAME	PART NUMBER	QUANTITY
BEARING-BALL,TMB205JR2 (Ref # 92045D)	92045-1285	1
SEAL-OIL,TC28X47X7 (Ref # 92049)	92049-1297	1
SEAL-OIL,TB13225.5 (Ref # 92051)	92051-005	2
RING-O,20X3 (Ref # 92055)	92055-2185	1
GASKET,10.5X16X1 (Ref # 92065)	92065-058	1
PLUG,DRAIN,10X12 (Ref # 92067)	92067-001	1
BUSHING-METER GEAR (Ref # 92087)	92087-1058	2
COLLAR,66X70X11 (Ref # 92143)	92143-1120	1
COLLAR,8.5X15X9 (Ref # 92143A)	92143-1642	1
SCREW,4X6 (Ref # 92172)	92172-0717	1
TUBE (Ref # 92192)	92192-1643	1
BOLT-FLANGED,6X10 (Ref # 130)	130AA0610	1
BOLT-FLANGED,6X14 (Ref # 130A)	130AA0614	4
BOLT-FLANGED,6X12 (Ref # 130B)	130BA0612	3
BOLT-FLANGED,6X14 (Ref # 130C)	130BA0614	2
BOLT-FLANGED,6X35 (Ref # 130D)	130BA0635	15
BOLT-FLANGED,8X20 (Ref # 130E)	130BA0820	5
BOLT-FLANGED,6X20 (Ref # 130F)	130CA0620	2
BOLT-FLANGED-SMALL,8X60 (Ref # 132)	132BA0860	8
BOLT-FLANGED-SMALL,6X14 (Ref # 132A)	132BB0614	2
WASHER-PLAIN,10MM (Ref # 411)	411AA1000	1
BEARING-BALL,#6007C3 (Ref # 601)	601B6007	2
BEARING-BALL,#6303C3 (Ref # 601A)	601B6303	1
BEARING-BALL (Ref # 601B)	601B6303U	1
O RING,10MM (Ref # 670)	670D1510	2