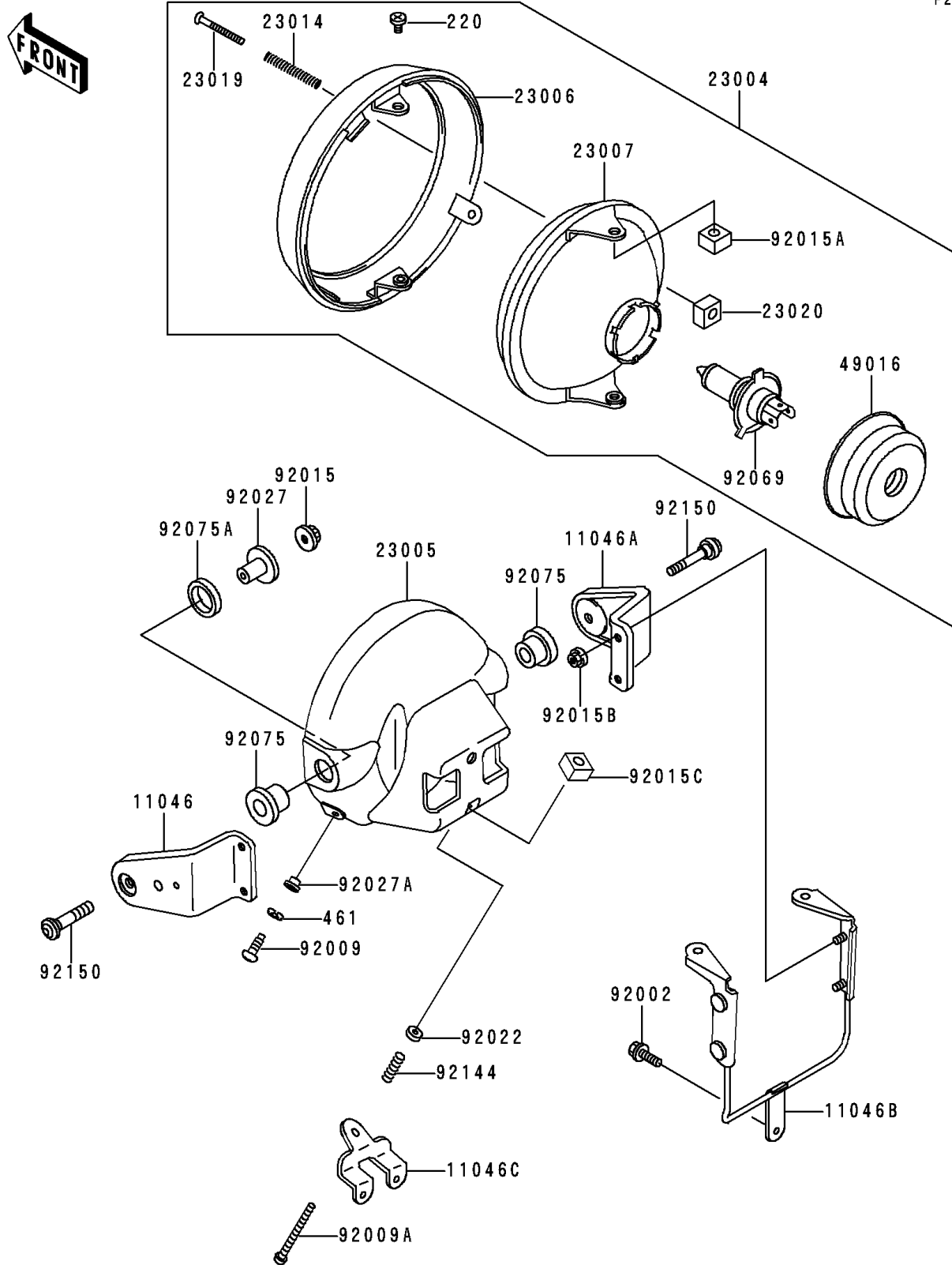


1991 Zephyr PARTS DIAGRAM

Head Lamp

F2710



1991 Zephyr PARTS LIST

Head Lamp

ITEM NAME	PART NUMBER	QUANTITY
SCREW-PAN-CROS (Ref # 220)	220D0510	2
WASHER-SPRING,5MM,BLACK (Ref # 461)	461K0500	2
BRACKET,HEAD LAMP,LH (Ref # 11046)	11046-1747	1
BRACKET,HEAD LAMP,RH (Ref # 11046A)	11046-1748	1
BRACKET,HEAD LAMP (Ref # 11046B)	11046-1779	1
BRACKET,HEAD LAMP BODY (Ref # 11046C)	11046-1796	1
LAMP-HEAD (Ref # 23004)	23004-1275	1
BODY-COMP-HEAD LAMP,F.BLACK (Ref # 23005)	23005-1102-21	1
RIM-LAMP,CR PLATED (Ref # 23006)	23006-1020	1
LENS-COMP,HEAD LAMP (Ref # 23007)	23007-1224	1
SPRING,FOCUS ADJUSTING (Ref # 23014)	23014-005	1
SCREW,FOCUS ADJUSTING (Ref # 23019)	23019-021	1
NUT,4MM,FOCUS ADJUST (Ref # 23020)	23020-018	1
COVER-SEAL,HEAD LAMP (Ref # 49016)	49016-1046	1
BOLT (Ref # 92002)	92002-1626	1
SCREW,5X16 (Ref # 92009)	92009-1157	2
SCREW,ADJUST (Ref # 92009A)	92009-1580	1
NUT,FLANGED,8MM (Ref # 92015)	92015-1014	2
NUT,5MM (Ref # 92015A)	92015-1157	2
NUT,CAP,6MM,BLACK (Ref # 92015B)	92015-1170	4
NUT,5MM,FOCUS ADJUST (Ref # 92015C)	92015-1799	1
WASHER,5.2X13X1 (Ref # 92022)	92022-1380	1
COLLAR,L=20 (Ref # 92027)	92027-1131	2
COLLAR,HEAD LAMP,BLACK (Ref # 92027A)	92027-1503	2
BULB,12V 60/55W,H4 (Ref # 92069)	92069-1002	1
DAMPER,HEAD LAMP FITTING (Ref # 92075)	92075-1109	2
DAMPER,HEAD LAMP FITTING (Ref # 92075A)	92075-1110	2
SPRING (Ref # 92144)	92144-1417	1
BOLT,8X40 (Ref # 92150)	92150-1403	2