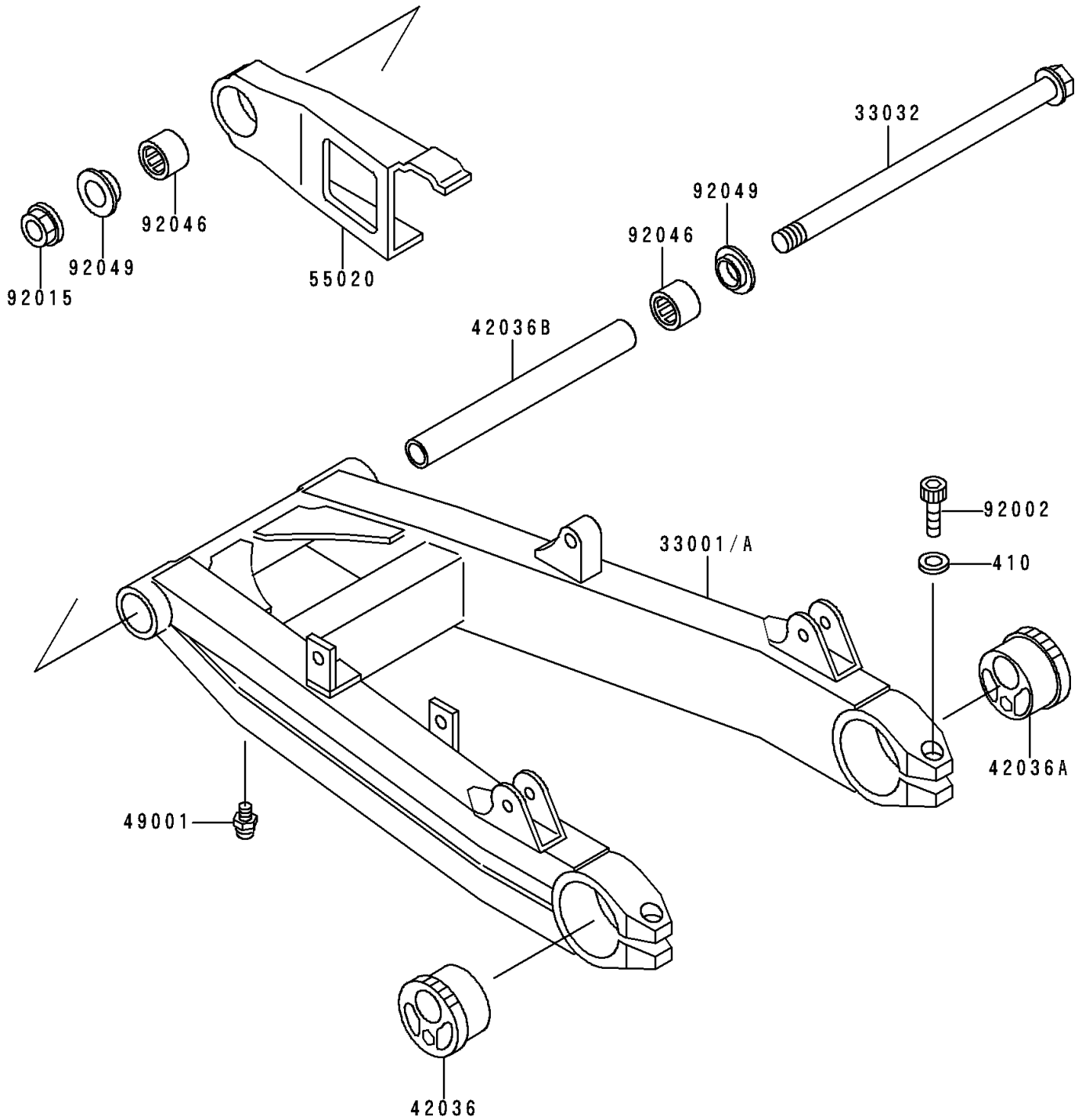


1990 Zephyr PARTS DIAGRAM

Swing Arm

F2141



1990 Zephyr PARTS LIST

Swing Arm

ITEM NAME	PART NUMBER	QUANTITY
W-PLAIN-S (Ref # 410)	410E1000	2
ARM-COMP-SWING,SILVER NO.25 (Ref # 33001)	33001-1343-CE	1
SHAFT-SWING ARM (Ref # 33032)	33032-1146	1
SLEEVE,AXLE,LH (Ref # 42036)	42036-1147	1
SLEEVE,AXLE,RH (Ref # 42036A)	42036-1148	1
SLEEVE,17.1X25X230 (Ref # 42036B)	42036-1220	1
NIPPLE-GREASE (Ref # 49001)	49001-1051	1
GUARD,CHAIN (Ref # 55020)	55020-1353	1
BOLT,SOCKET,10X40 (Ref # 92002)	92002-1452	2
NUT,16MM (Ref # 92015)	92015-1041	1
BEARING-NEEDLE,BHTM2530-1 (Ref # 92046)	92046-1035	2
SEAL-OIL (Ref # 92049)	92049-1166	2