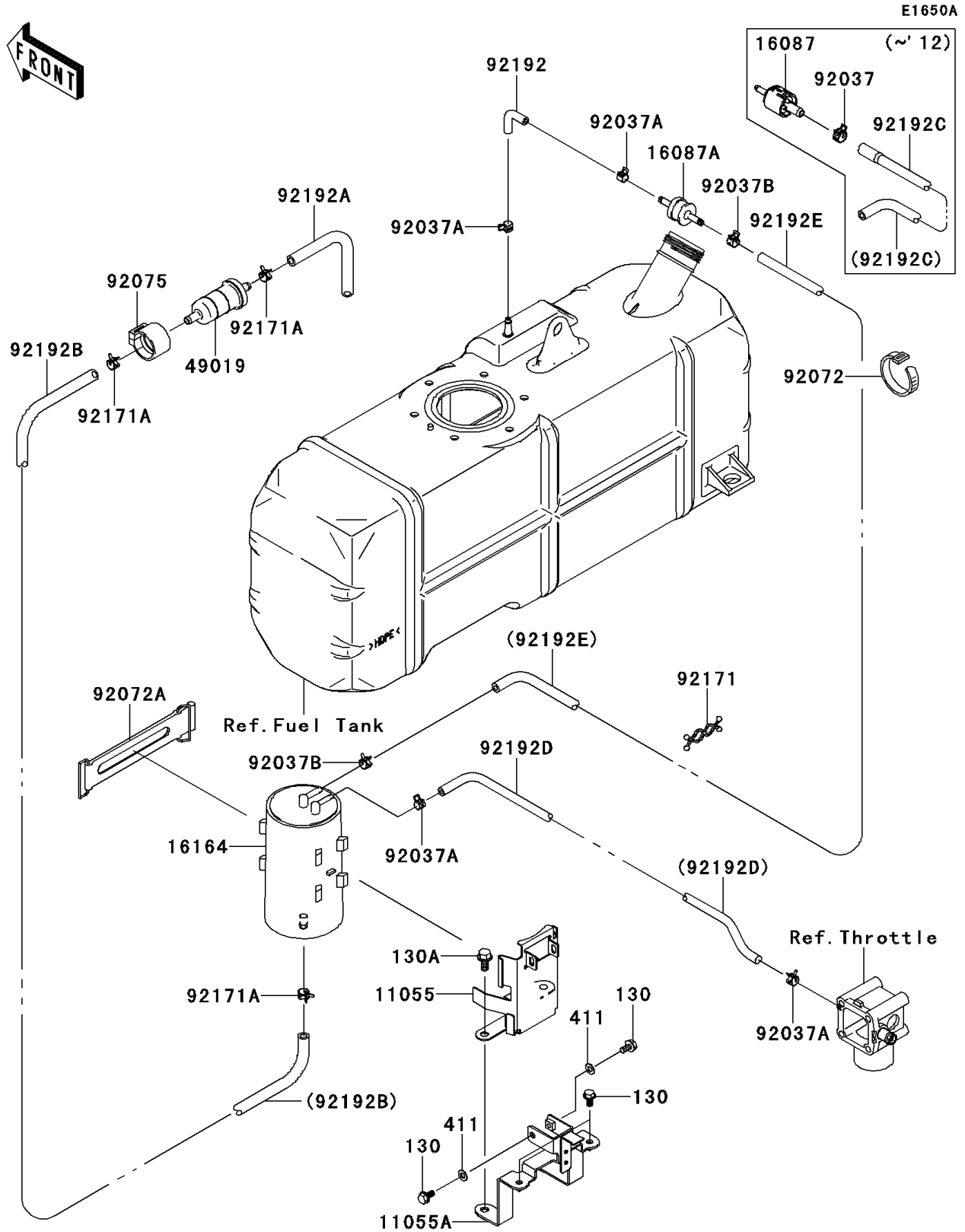


2013 MULE™ 4010 4x4 PARTS DIAGRAM

Fuel Evaporative System(MBF-MDF)



2013 MULE™ 4010 4x4 PARTS LIST

Fuel Evaporative System(MBF-MDF)

| ITEM NAME | PART NUMBER | QUANTITY |
|--|-------------|----------|
| BRACKET,UPP (Ref # 11055) | 11055-0263 | 1 |
| BRACKET,LWR (Ref # 11055A) | 11055-0407 | 1 |
| VALVE-CHECK (Ref # 16087) | 16087-0002 | 1 |
| VALVE-CHECK (Ref # 16087A) | 16087-0703 | 1 |
| CANISTER (Ref # 16164) | 16164-0007 | 1 |
| FILTER-FUEL (Ref # 49019) | 49019-1055 | 1 |
| CLAMP,HOSE CLIP (Ref # 92037) | 92037-1181 | 1 |
| CLAMP,TUBE (Ref # 92037A) | 92037-1461 | 4 |
| CLAMP,TUBE (Ref # 92037B) | 92037-1505 | 2 |
| BAND,L=186 (Ref # 92072) | 92072-056 | 1 |
| BAND,L=168 (Ref # 92072A) | 92072-1306 | 1 |
| DAMPER,FUEL FILTER (Ref # 92075) | 92075-1853 | 1 |
| CLAMP (Ref # 92171) | 92171-0476 | 1 |
| CLAMP (Ref # 92171A) | 92171-0515 | 3 |
| TUBE,FUEL TANK-CHECK VALVE (Ref # 92192) | 92192-0067 | 1 |
| TUBE,FILTER-AIR (Ref # 92192A) | 92192-0609 | 1 |
| TUBE,CANISTER-FUEL FILTER (Ref # 92192B) | 92192-0713 | 1 |
| TUBE,CANISTER-VALVE (Ref # 92192C) | 92192-0735 | 1 |
| TUBE,4.5X9.5X460 (Ref # 92192D) | 92192-0909 | 1 |
| TUBE (Ref # 92192E) | 92192-1161 | 1 |
| BOLT-FLANGED,6X12 (Ref # 130) | 130BB0612 | 4 |
| BOLT-FLANGED,8X16 (Ref # 130A) | 130BB0816 | 2 |
| WASHER-PLAIN,6.5X13X1 (Ref # 411) | 411AB0600 | 2 |