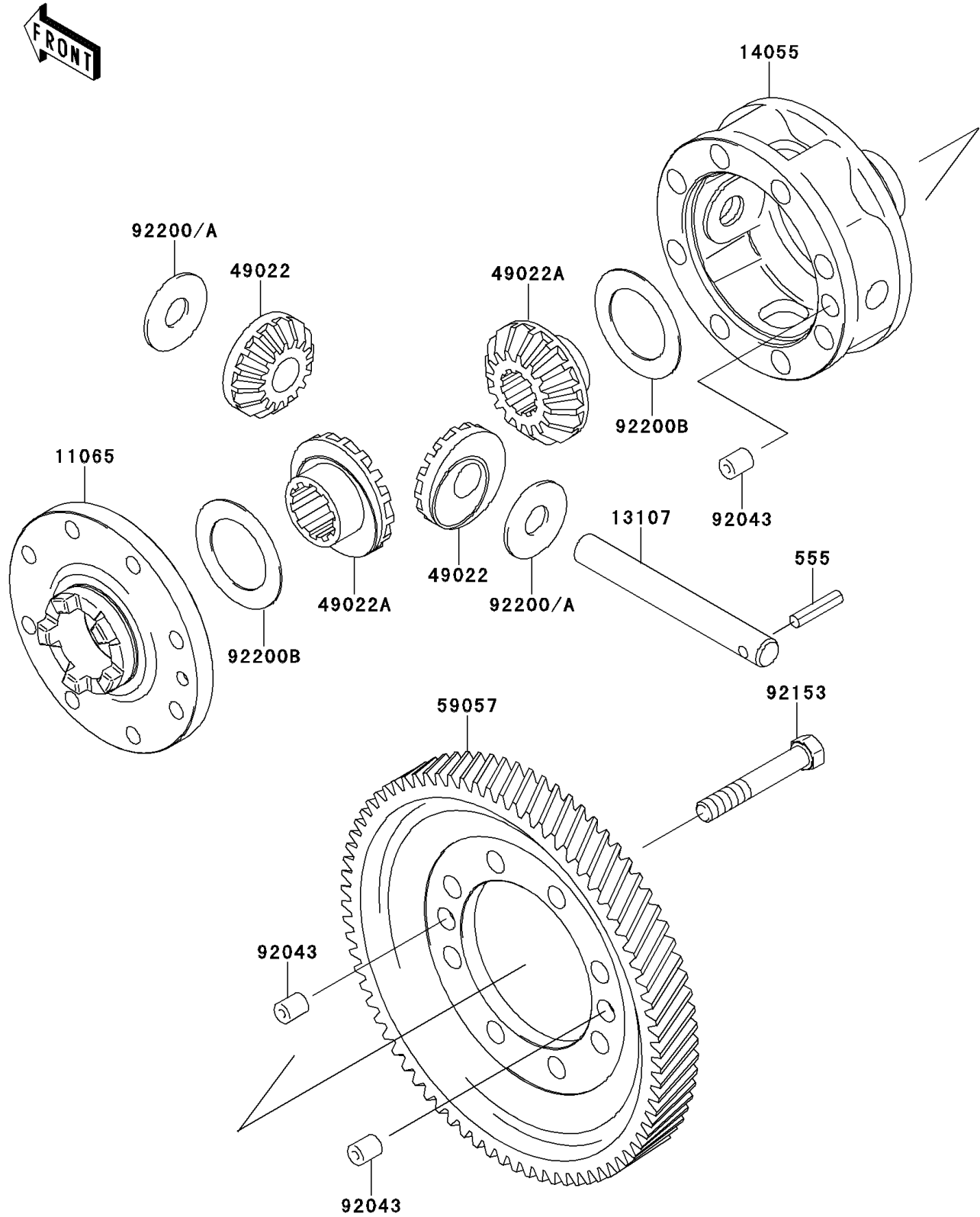


# 2010 Mule 4010 4x4 PARTS DIAGRAM

Differential

E1451



## 2010 Mule 4010 4x4 PARTS LIST

### Differential

| ITEM NAME                               | PART NUMBER | QUANTITY |
|---|-------------|----------|
| CAP,GEAR CASE (Ref # 11065)             | 11065-0033  | 1        |
| SHAFT (Ref # 13107)                     | 13107-0009  | 1        |
| CASE-GEAR,DIFFERENTIAL (Ref # 14055)    | 14055-0003  | 1        |
| GEAR-BEVEL,10T (Ref # 49022)            | 49022-1105  | 2        |
| GEAR-BEVEL,16T (Ref # 49022A)           | 49022-1117  | 2        |
| GEAR-HELICAL,DIFFERENTIAL (Ref # 59057) | 59057-0002  | 1        |
| PIN,10X12 (Ref # 92043)                 | 92043-0029  | 3        |
| BOLT,10X63 (Ref # 92153)                | 92153-0331  | 8        |
| WASHER,14.5X38X1.2 (Ref # 92200)        | 92200-0021  | 2        |
| WASHER,14.5X38X1.0 (Ref # 92200A)       | 92200-1044  | AR       |
| WASHER,35.5X54X1.0 (Ref # 92200B)       | 92200-1045  | 2        |
| PIN-SPRING (Ref # 555)                  | 555A0525    | 1        |