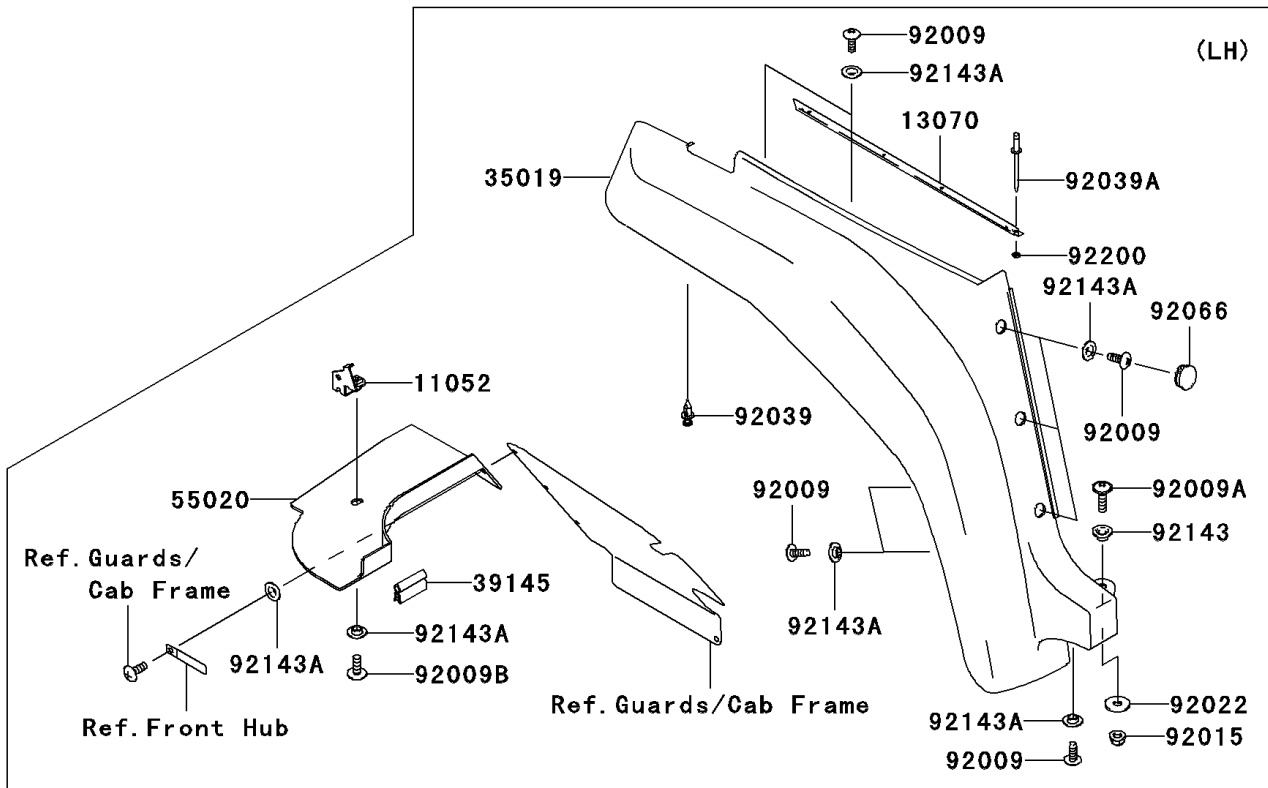
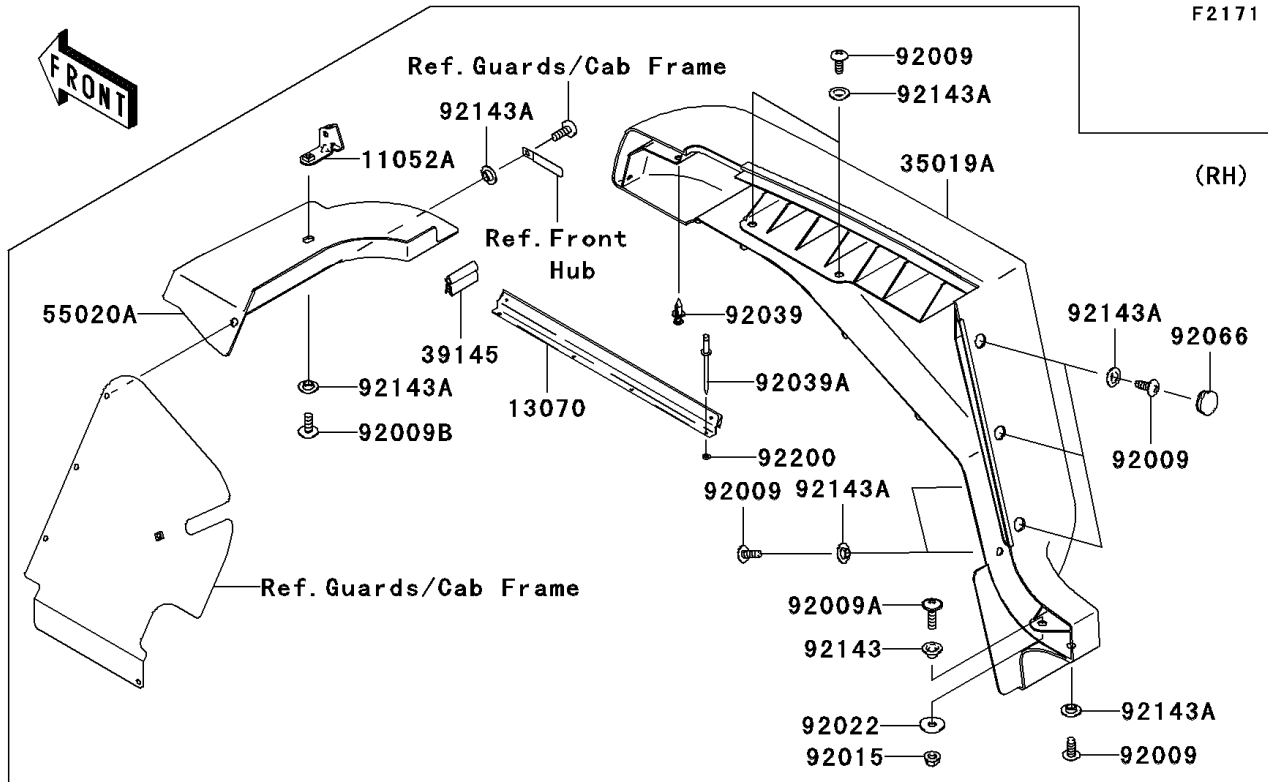


# 2008 Mule 3010 Diesel 4X4 PARTS DIAGRAM

Front Fender(s)



## 2008 Mule 3010 Diesel 4X4 PARTS LIST

### Front Fender(s)

ITEM NAME	PART NUMBER	QUANTITY
BRACKET,LH (Ref # 11052)	11052-1446	1
BRACKET,RH (Ref # 11052A)	11052-1447	1
GUIDE,FRONT FLAP (Ref # 13070)	13070-1403	2
FLAP,FR,LH,F.BLACK (Ref # 35019)	35019-7508-6Z	1
FLAP,FR,RH,F.BLACK (Ref # 35019A)	35019-7509-6Z	1
TRIM-SEAL,L=45 (Ref # 39145)	39145-1136	2
GUARD,LWR,LH (Ref # 55020)	55020-1775	1
GUARD,LWR,RH (Ref # 55020A)	55020-1776	1
SCREW,TAPPING,6X16 (Ref # 92009)	92009-1166	16
SCREW,6X22,BLACK (Ref # 92009A)	92009-1256	2
SCREW,6X16 (Ref # 92009B)	92009-1621	2
NUT,LOCK,FLANGED,6MM (Ref # 92015)	92015-1675	2
WASHER,6.5X20X1.6,BLACK (Ref # 92022)	92022-1346	2
RIVET (Ref # 92039)	92039-1229	8
RIVET (Ref # 92039A)	92039-1244	8
PLUG (Ref # 92066)	92066-1231	6
COLLAR (Ref # 92143)	92143-1057	2
COLLAR (Ref # 92143A)	92143-1087	20
WASHER,3.7X6X1 (Ref # 92200)	92200-7505	8