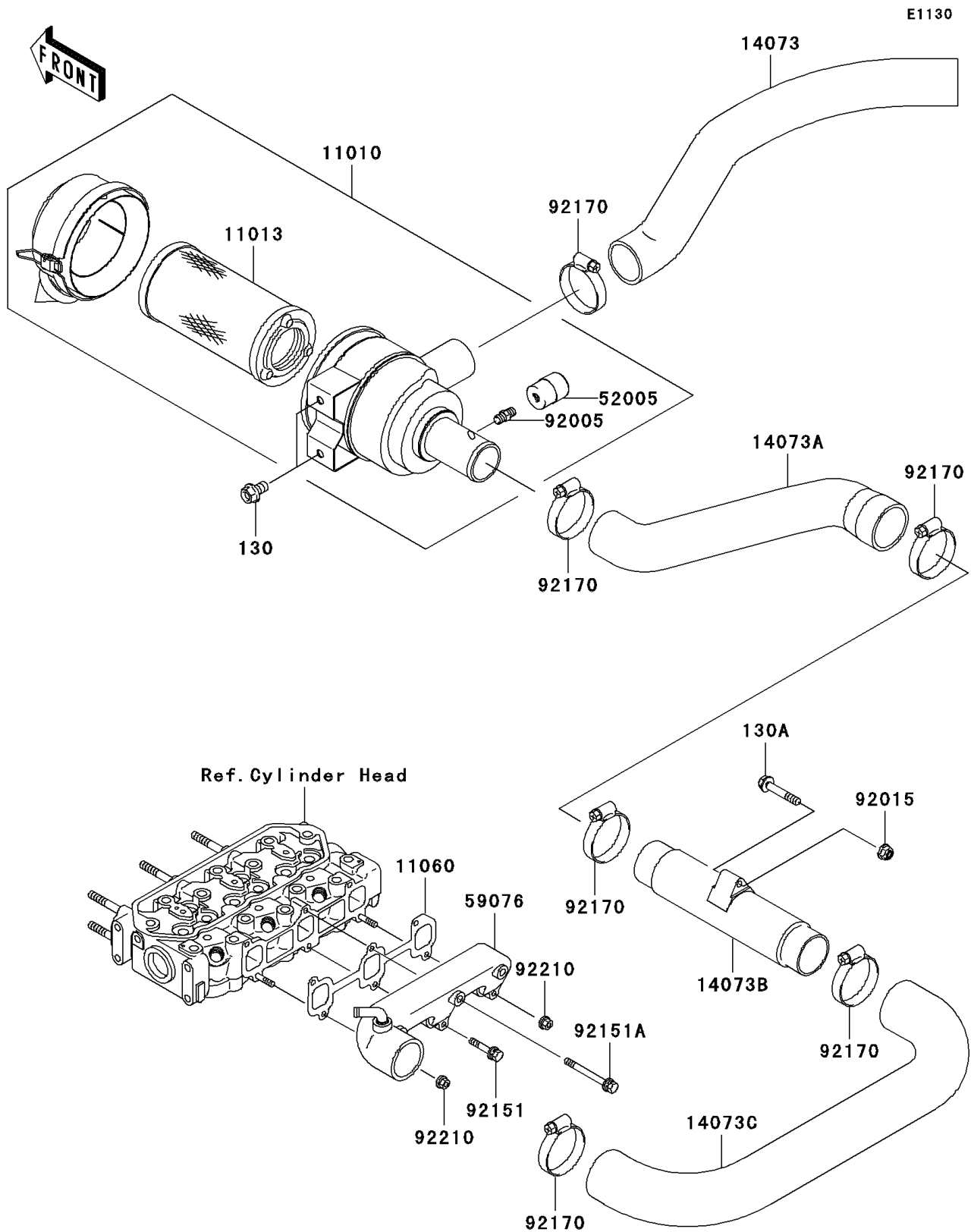


2008 Mule 3010 Diesel 4X4 PARTS DIAGRAM

Air Cleaner



2008 Mule 3010 Diesel 4X4 PARTS LIST

Air Cleaner

ITEM NAME	PART NUMBER	QUANTITY
FILTER-ASSY-AIR (Ref # 11010)	11010-0075	1
ELEMENT-AIR FILTER (Ref # 11013)	11013-1290	1
GASKET,INTAKE MANIFOLD (Ref # 11060)	11060-1960	1
DUCT,AIR CLEANER,INLET (Ref # 14073)	14073-1752	1
DUCT,AIR CLEANER,OUTLET (Ref # 14073A)	14073-1753	1
DUCT,AIR CLEANER,OUTLET (Ref # 14073B)	14073-1754	1
DUCT,ENGINE,INLET (Ref # 14073C)	14073-1755	1
GAUGE (Ref # 52005)	52005-0017	1
MANIFOLD-INTAKE (Ref # 59076)	59076-1112	1
FITTING,AIR FILTER (Ref # 92005)	92005-1386	1
NUT,LOCK,FLANGED,6MM (Ref # 92015)	92015-1675	1
BOLT,6X20 (Ref # 92151)	92151-1667	1
BOLT,6X60 (Ref # 92151A)	92151-1695	3
CLAMP (Ref # 92170)	92170-1338	6
NUT,6MM (Ref # 92210)	92210-1210	2
BOLT-FLANGED,8X14 (Ref # 130)	130J0814	2
BOLT-FLANGED,6X35 (Ref # 130A)	130L0635	1