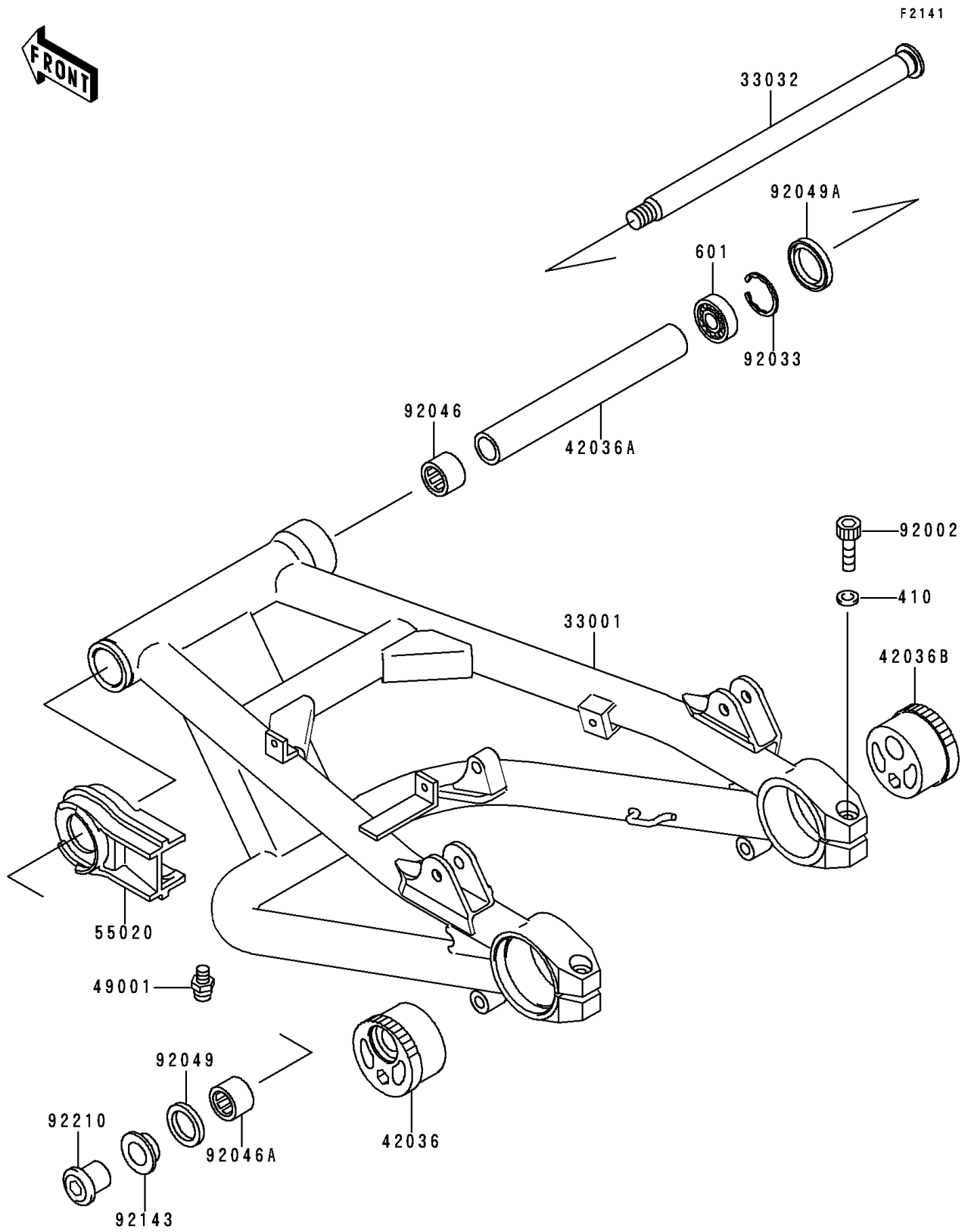


# 1999 ZRX1100 PARTS DIAGRAM

Swingarm



F2141

# 1999 ZRX1100 PARTS LIST

## Swingarm

| ITEM NAME                                 | PART NUMBER   | QUANTITY |
|---|---------------|----------|
| W-PLAIN-S (Ref # 410)                     | 410E1000      | 2        |
| BEARING-BALL,#6004 (Ref # 601)            | 601A6004      | 1        |
| ARM-COMP-SWING (Ref # 33001)              | 33001-1522    | 1        |
| SHAFT-SWING ARM (Ref # 33032)             | 33032-1182    | 1        |
| SLEEVE,REAR AXLE,LH,A.GOLD (Ref # 42036)  | 42036-1153-ES | 1        |
| SLEEVE,SWING ARM,L=213.5 (Ref # 42036A)   | 42036-1259    | 1        |
| SLEEVE,REAR AXLE,RH,A.GOLD (Ref # 42036B) | 42036-1265-ES | 1        |
| NIPPLE-GREASE (Ref # 49001)               | 49001-1051    | 1        |
| GUARD,CHAIN (Ref # 55020)                 | 55020-1614    | 1        |
| BOLT,SOCKET,10X40 (Ref # 92002)           | 92002-1452    | 2        |
| RING-SNAP,42MM (Ref # 92033)              | 92033-1041    | 1        |
| BEARING-NEEDLE,BM2817 (Ref # 92046)       | 92046-1111    | 1        |
| BEARING-NEEDLE,BM2824 (Ref # 92046A)      | 92046-1202    | 1        |
| SEAL-OIL (Ref # 92049)                    | 92049-1181    | 1        |
| SEAL-OIL,MHSA25 42 6 (Ref # 92049A)       | 92049-1314    | 1        |
| COLLAR,SWING ARM,L=12.5 (Ref # 92143)     | 92143-1227    | 1        |
| NUT,PIVOT,16MM (Ref # 92210)              | 92210-1077    | 1        |