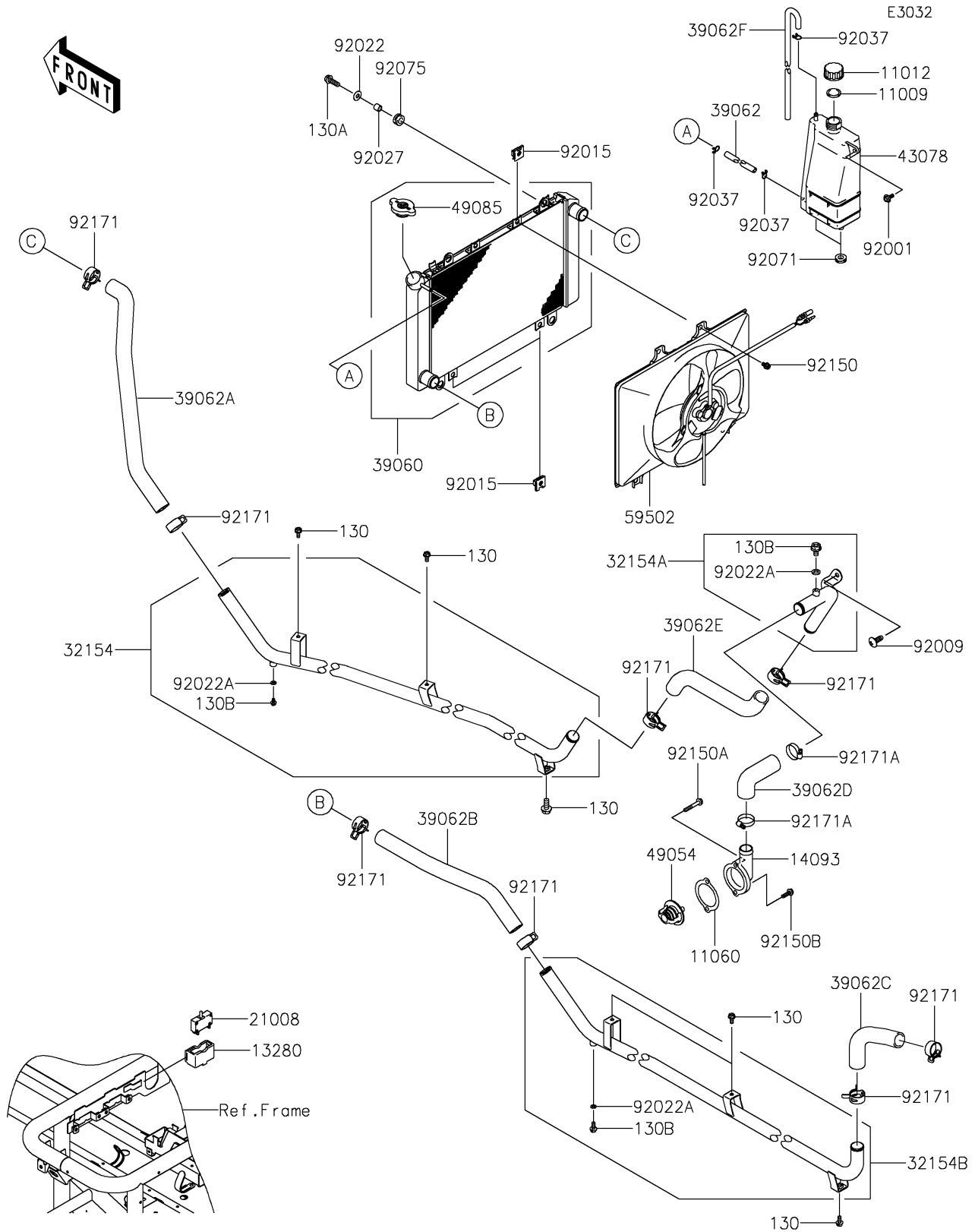


# 2020 MULE 4000 TRANS™ PARTS DIAGRAM

## Radiator



# 2020 MULE 4000 TRANS™ PARTS LIST

Radiator

ITEM NAME	PART NUMBER	QUANTITY
-----------	-------------	----------