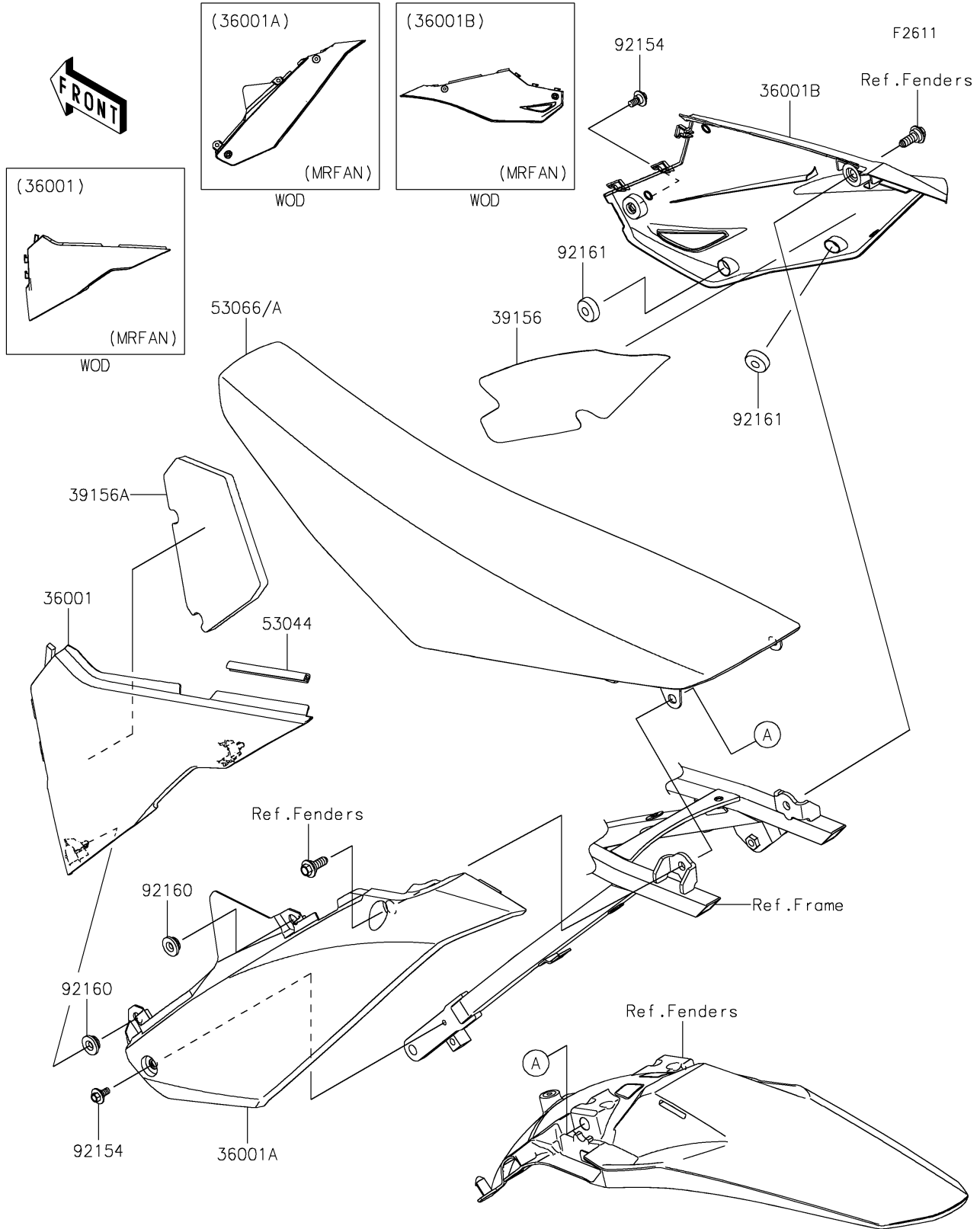


2024 KX™ 450 50th ANNIVERSARY EDITION PARTS DIAGRAM

Side Covers



2024 KX™ 450 50th ANNIVERSARY EDITION PARTS LIST

Side Covers

ITEM NAME	PART NUMBER	QUANTITY
COVER-SIDE,LH,UPP,L.GREEN (Ref # 36001)	36001-0737-290	1
COVER-SIDE,LH,LWR,L.GREEN (Ref # 36001A)	36001-0738-290	1
COVER-SIDE,RH,LWR,L.GREEN (Ref # 36001B)	36001-0739-290	1
PAD,SIDE COVER (Ref # 39156)	39156-2852	1
PAD,SIDE COVER (Ref # 39156A)	39156-2918	1
TRIM,105MM (Ref # 53044)	53044-0627	1
SEAT-ASSY,N.L.GREEN+GRN/BLK (Ref # 53066)	53066-0604-73L	1
SEAT-ASSY,BLUE+BLU (Ref # 53066A)	53066-0604-73W	1
BOLT,FLANGED,6X9 (Ref # 92154)	92154-0546	2
DAMPER (Ref # 92160)	92160-1613	2
DAMPER (Ref # 92161)	92161-2090	2