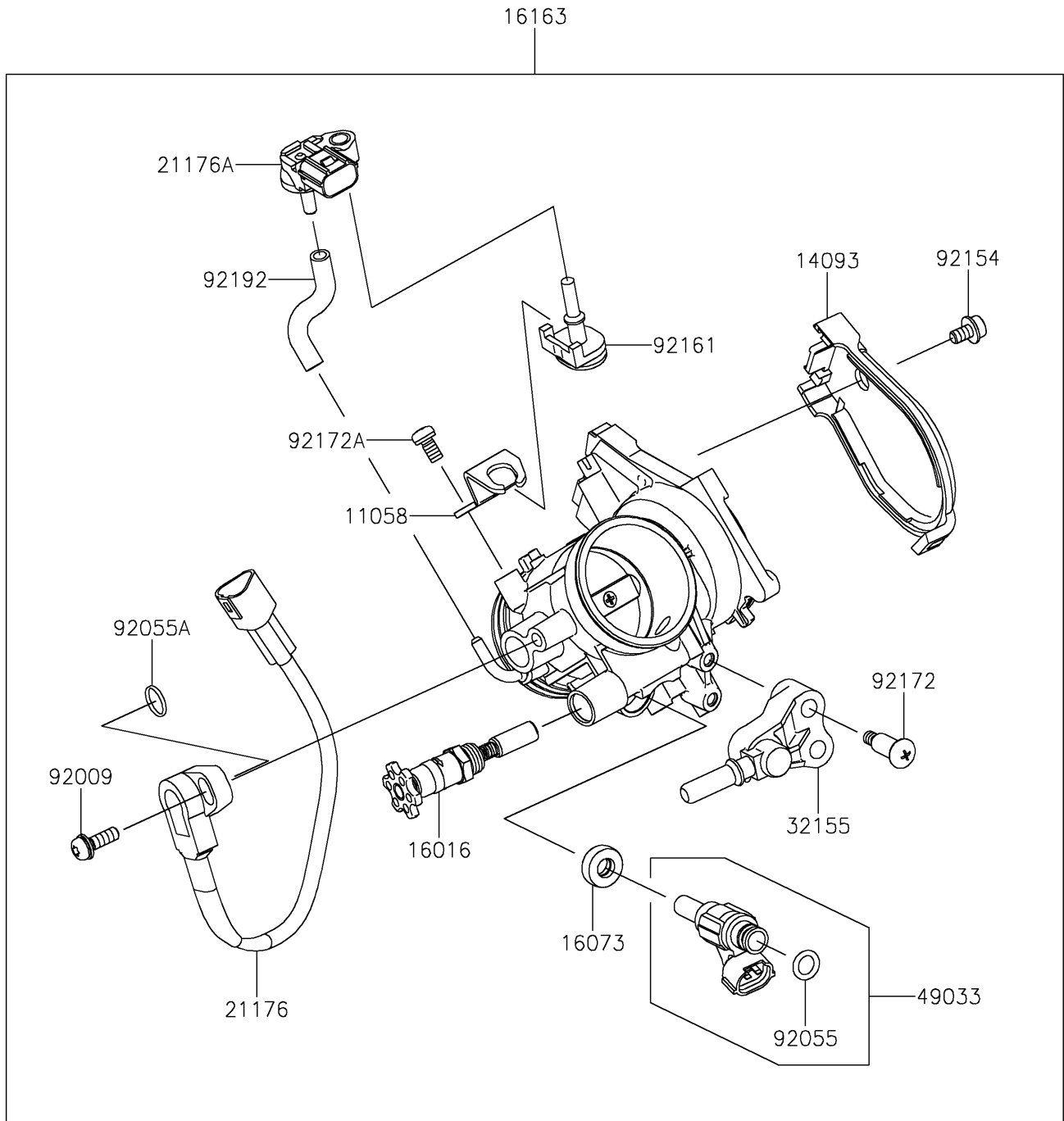


2024 KX™ 450 PARTS DIAGRAM

Throttle

E1510



2024 KX™ 450 PARTS LIST

Throttle

ITEM NAME	PART NUMBER	QUANTITY
BRACKET,SENSOR (Ref # 11058)	11058-2077	1
COVER,THROTTLE DUST (Ref # 14093)	14093-0431	1
PLUNGER (Ref # 16016)	16016-0027	1
INSULATOR (Ref # 16073)	16073-0129	1
THROTTLE-ASSY (Ref # 16163)	16163-1308	1
SENSOR,THROTTLE POSITION (Ref # 21176)	21176-0840	1
SENSOR,PRESSURE (Ref # 21176A)	21176-0906	1
PIPE,FUEL (Ref # 32155)	32155-4104	1
NOZZLE-INJECTION (Ref # 49033)	49033-0040	1
SCREW,THROTTLE SENSOR (Ref # 92009)	92009-1981	1
RING-O,INJECTION NOZZLE (Ref # 92055)	92055-0937	1
RING-O (Ref # 92055A)	92055-1671	1
BOLT (Ref # 92154)	92154-0133	1
DAMPER (Ref # 92161)	92161-0673	1
SCREW,PIPE INJECTION (Ref # 92172)	92172-0064	2
SCREW (Ref # 92172A)	92172-0393	1
TUBE (Ref # 92192)	92192-2788	1