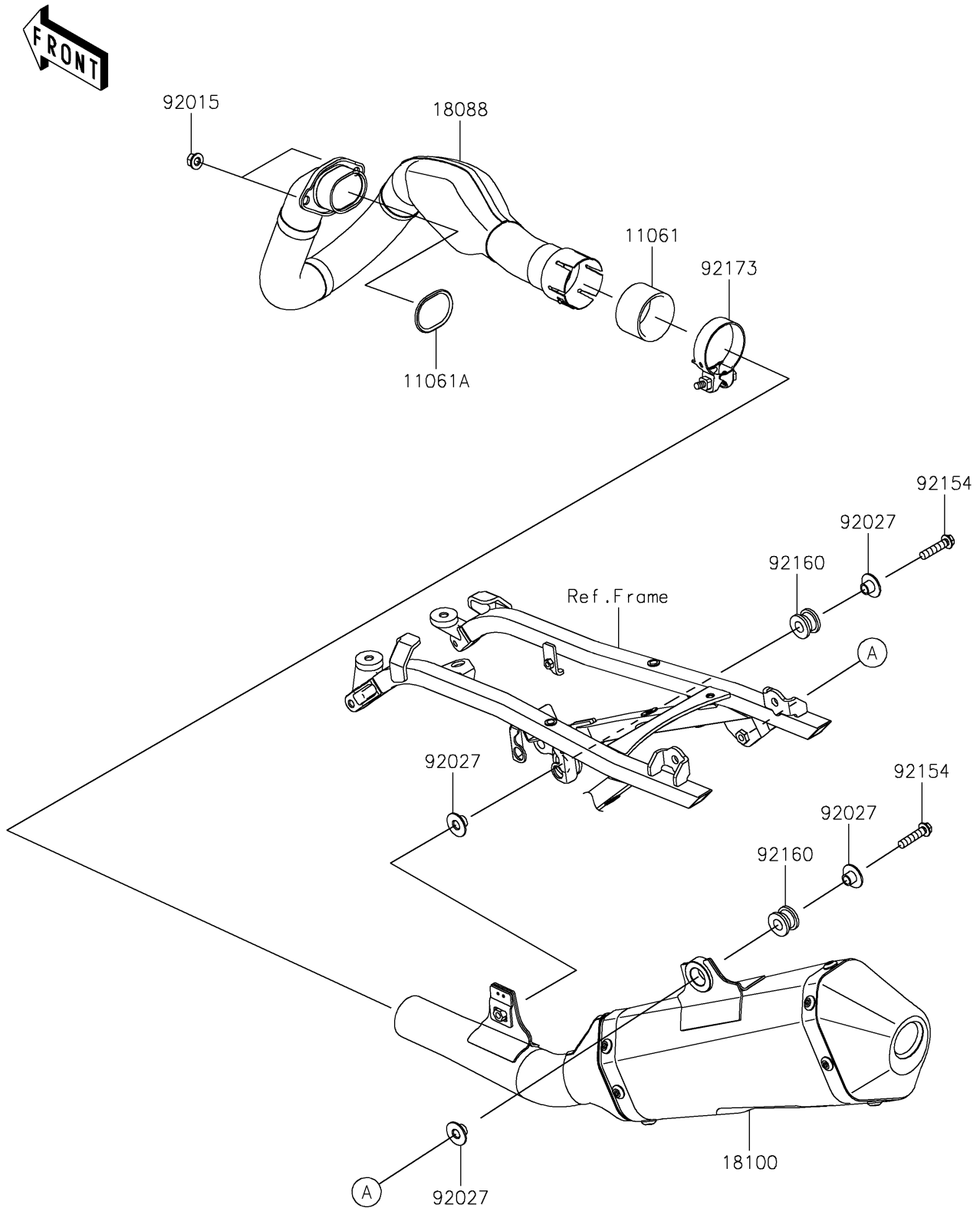


2024 KX™ 450 50th ANNIVERSARY EDITION PARTS DIAGRAM

Muffler(s)

E1140



2024 KX™ 450 50th ANNIVERSARY EDITION PARTS LIST

Muffler(s)

ITEM NAME	PART NUMBER	QUANTITY
GASKET,CONNECTING (Ref # 11061)	11061-0434	1
GASKET (Ref # 11061A)	11061-1536	1
PIPE-EXHAUST (Ref # 18088)	18088-1732	1
BODY-ASSY-MUFFLER (Ref # 18100)	18100-0625	1
NUT,8MM (Ref # 92015)	92015-1402	2
COLLAR,FLANGED,8.8X10.6 (Ref # 92027)	92027-1653	4
BOLT,FLANGED,8X35 (Ref # 92154)	92154-2985	2
DAMPER,MUFFLER MOUNT (Ref # 92160)	92160-1116	2
CLAMP (Ref # 92173)	92173-2327	1