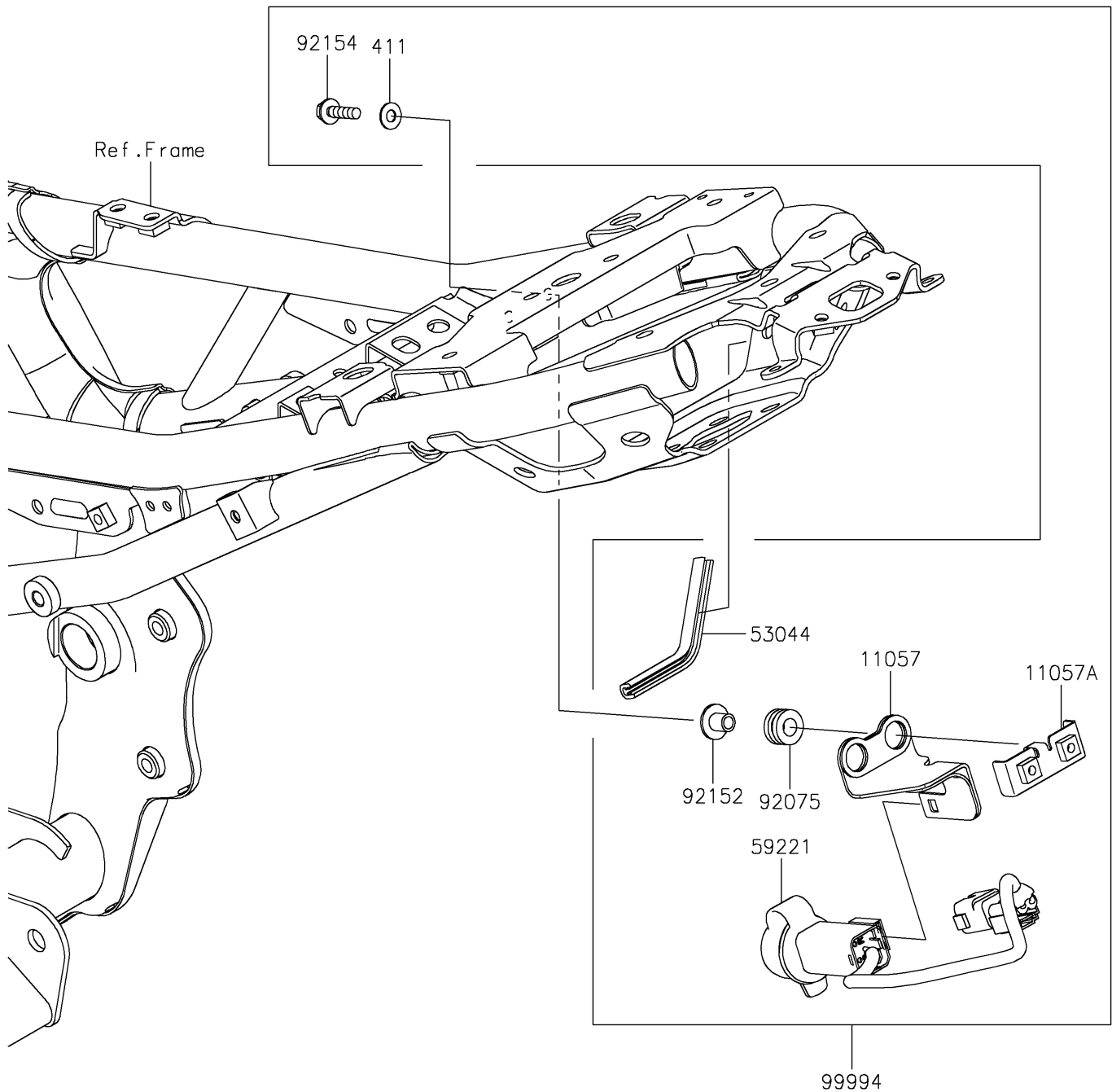


2024 NINJA[®] ZX[™]-4RR KRT EDITION ABS PARTS DIAGRAM

Accessory(USB Output)

F2910E



2024 NINJA® ZX™-4RR KRT EDITION ABS PARTS LIST

Accessory(USB Output)

ITEM NAME	PART NUMBER	QUANTITY
BRACKET (Ref # 11057)	11057-7798	1
BRACKET (Ref # 11057A)	11057-7800	1
TRIM,L=85 (Ref # 53044)	53044-0556	1
CONNECTOR-CORD,USB (Ref # 59221)	59221-0019	1
DAMPER (Ref # 92075)	92075-1912	2
COLLAR (Ref # 92152)	92152-1592	2
BOLT,FLANGED,5X20 (Ref # 92154)	92154-4433	2
USB SOCKET (Ref # 99994)	99994-1824	1
WASHER-PLAIN,5MM (Ref # 411)	411AA0500	2