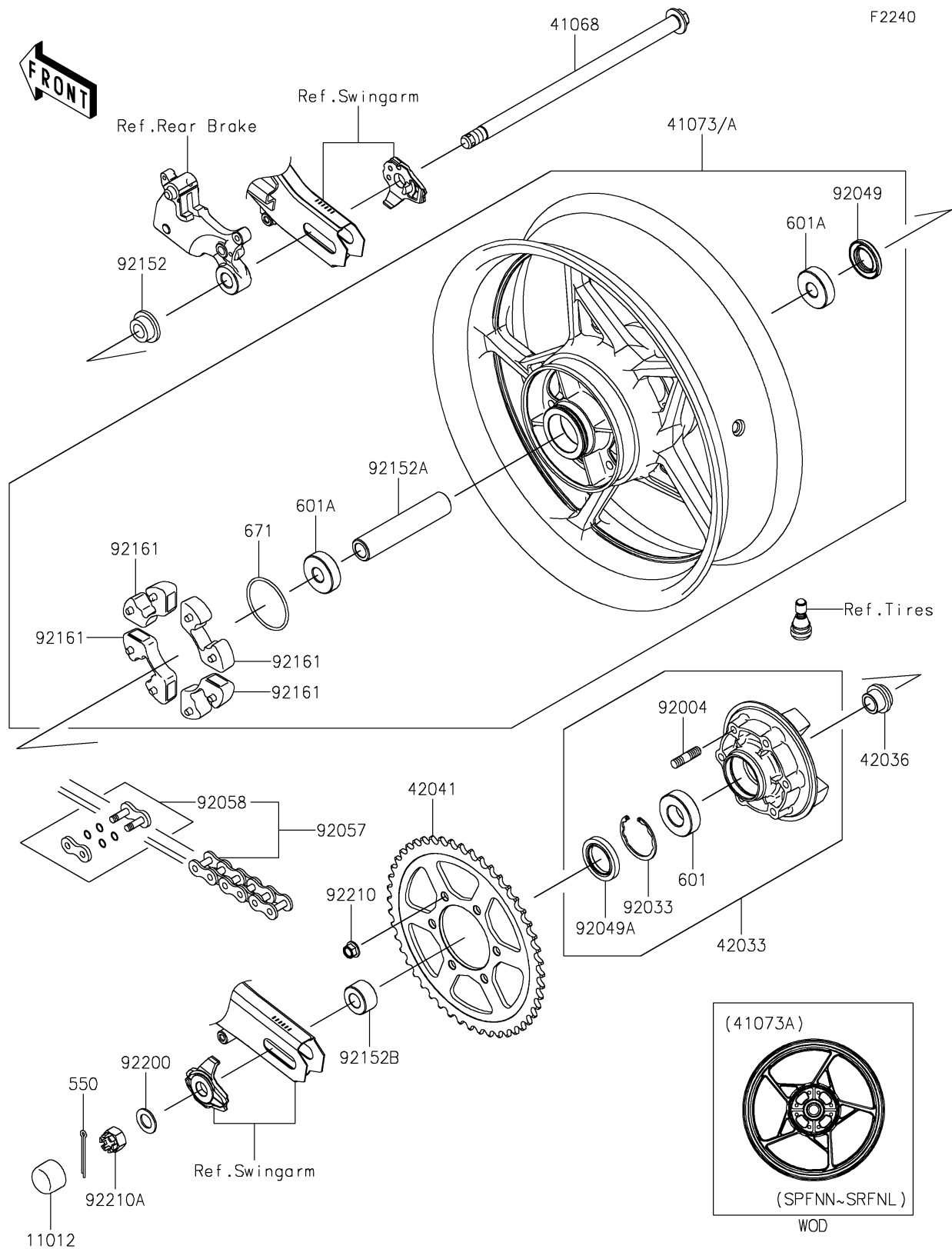


# 2024 NINJA® ZX™-4RR ABS

## PARTS DIAGRAM

### Rear Wheel/Chain



# 2024 NINJA® ZX™-4RR ABS

## PARTS LIST

### Rear Wheel/Chain

ITEM NAME	PART NUMBER	QUANTITY
CAP,AXLE NUT (Ref # 11012)	11012-1592	1
AXLE,RR (Ref # 41068)	41068-0652	1
WHEEL-ASSY,RR,L.GREEN (Ref # 41073)	41073-0833-710	1
WHEEL-ASSY,RR,G.BLACK (Ref # 41073A)	41073-0833-QT	1
COUPLING-ASSY,RR HUB (Ref # 42033)	42033-0570	1
SLEEVE (Ref # 42036)	42036-0874	1
SPROCKET-HUB,48T (Ref # 42041)	42041-0178	1
STUD,10X19 (Ref # 92004)	92004-0048	6
RING-SNAP,52MM (Ref # 92033)	92033-1043	1
SEAL-OIL,27X47X7 (Ref # 92049)	92049-0802	1
SEAL-OIL (Ref # 92049A)	92049-1287	1
CHAIN,DRIVE,DID520VM5X114L (Ref # 92057)	92057-0904	1
JOINT-CHAIN (Ref # 92058)	92058-0088	1
COLLAR,17X28(38)X15 (Ref # 92152)	92152-0844	1
COLLAR,25X27.2X133 (Ref # 92152A)	92152-2873	1
COLLAR,17X35X19.5 (Ref # 92152B)	92152-2876	1
DAMPER,SHOCK,RR HUB (Ref # 92161)	92161-0303	4
WASHER,17.3X30X2 (Ref # 92200)	92200-1916	1
NUT,LOCK,FLANGED,10MM (Ref # 92210)	92210-0276	6
NUT,CASTLE,16X19 (Ref # 92210A)	92210-1585	1
PIN-COTTER,4.0X35 (Ref # 550)	550AA4035	1
BEARING-BALL (Ref # 601)	601B6205UU	1
BEARING-BALL,6303LLUC3/2ASU68 (Ref # 601A)	601B6303UU	2
O RING,60MM (Ref # 671)	671B2560	1