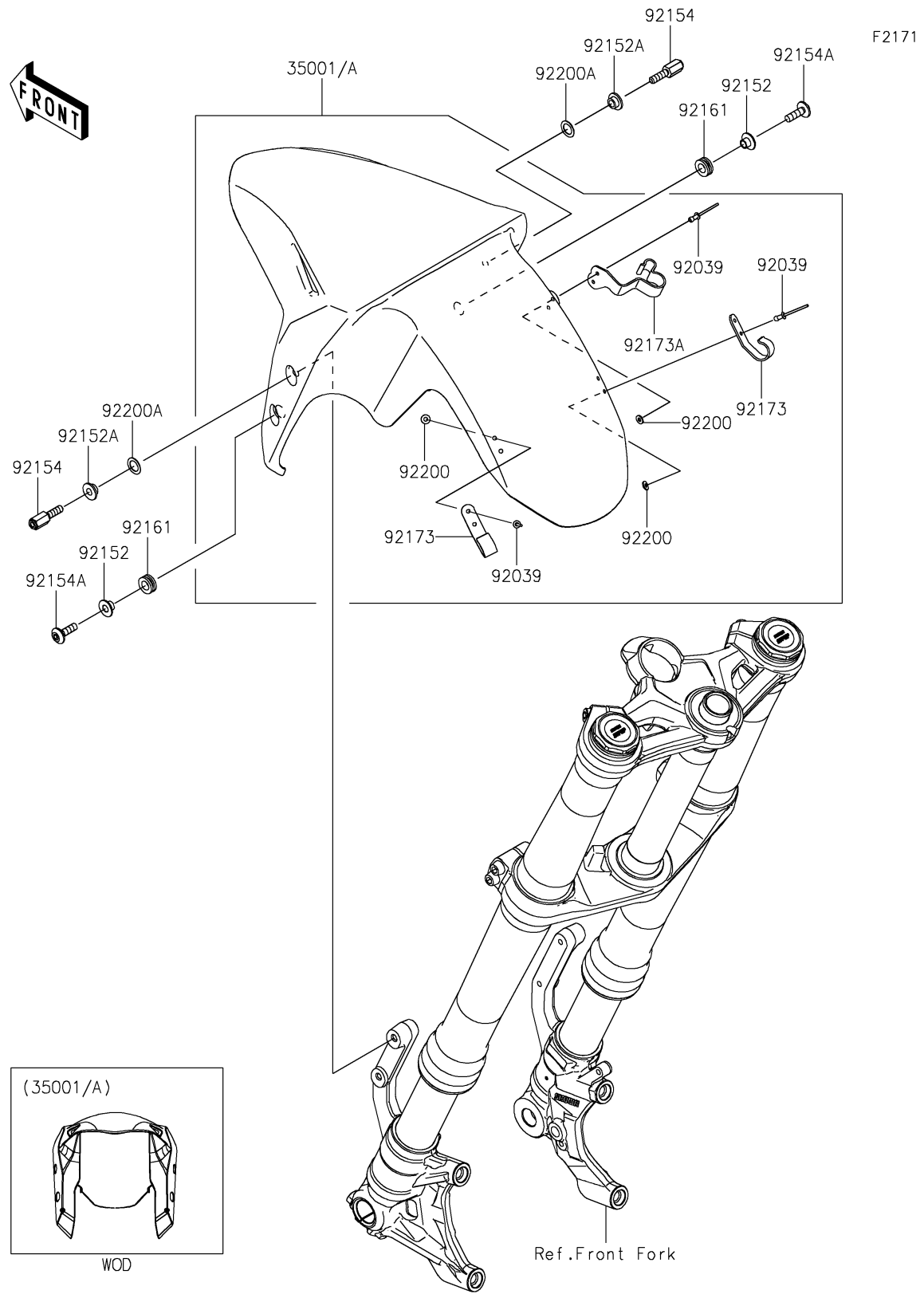


# 2024 NINJA<sup>®</sup> ZX<sup>™</sup>-4RR KRT EDITION ABS PARTS DIAGRAM

Front Fender(s)



## 2024 NINJA® ZX™ -4RR KRT EDITION ABS PARTS LIST

### Front Fender(s)

| ITEM NAME                                | PART NUMBER    | QUANTITY |
|--|----------------|----------|
| FENDER-ASSY-FRONT,L.GREEN (Ref # 35001A) | 35001-0089-777 | 1        |
| RIVET,3.2X9.5 (Ref # 92039)              | 92039-0752     | 6        |
| COLLAR,6.3X8.3X16 (Ref # 92152)          | 92152-1602     | 2        |
| COLLAR,6.5X10X5.9 (Ref # 92152A)         | 92152-2486     | 2        |
| BOLT,6X20,WHITE (Ref # 92154)            | 92154-0884     | 2        |
| BOLT,SOCKET,6X20 (Ref # 92154A)          | 92154-0918     | 2        |
| DAMPER,8.3X16X6.4 (Ref # 92161)          | 92161-1848     | 2        |
| CLAMP (Ref # 92173)                      | 92173-2521     | 2        |
| CLAMP (Ref # 92173A)                     | 92173-2657     | 1        |
| WASHER,3.5X8X1 (Ref # 92200)             | 92200-1251     | 6        |
| WASHER,10.4X15.9X0.5 (Ref # 92200A)      | 92200-2525     | 2        |