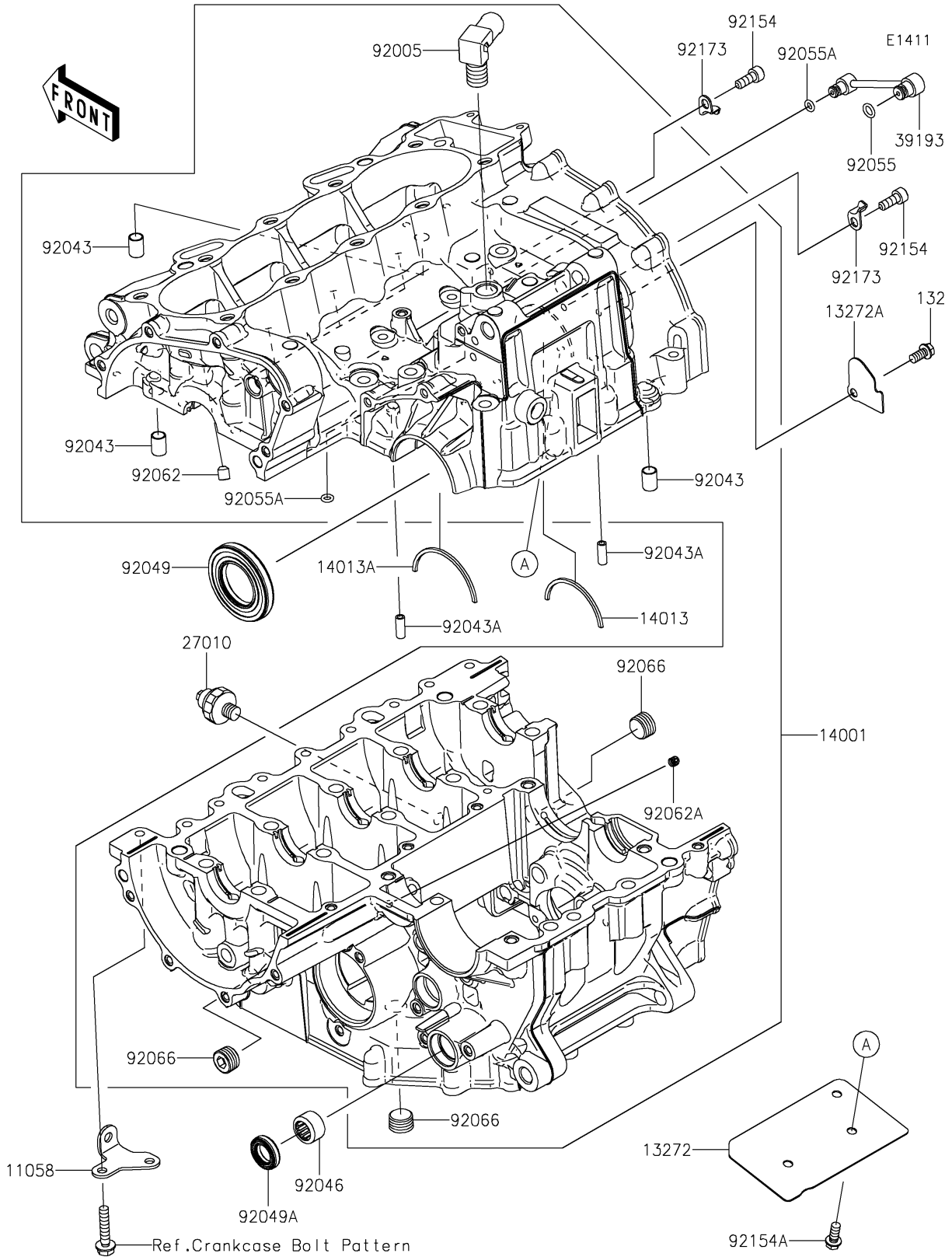


2024 NINJA® ZX™ -4RR KRT EDITION ABS PARTS DIAGRAM

Crankcase



2024 NINJA® ZX™ -4RR KRT EDITION ABS PARTS LIST

Crankcase

ITEM NAME	PART NUMBER	QUANTITY
BRACKET (Ref # 11058)	11058-1060	1
PLATE,BREATHER,UPP (Ref # 13272)	13272-2748	1
PLATE,BREATHER,SIDE (Ref # 13272A)	13272-2749	1
SET-CRANKCASE (Ref # 14001)	14001-0740	1
RING-POSITION (Ref # 14013)	14013-004	1
RING-POSITION (Ref # 14013A)	14013-1051	1
SWITCH,OIL PRESSURE (Ref # 27010)	27010-1313	1
PIPE-OIL (Ref # 39193)	39193-0595	1
FITTING (Ref # 92005)	92005-1447	1
PIN,DOWEL,10X14 (Ref # 92043)	92043-1037	3
PIN,3.5X6X16 (Ref # 92043A)	92043-1309	2
BEARING-NEEDLE,HK1412FM (Ref # 92046)	92046-0043	1
SEAL-OIL,TC32578 (Ref # 92049)	92049-1474	1
SEAL-OIL,TC14245 (Ref # 92049A)	92049-1520	1
RING-O,6.8X1.9 (Ref # 92055)	92055-0039	1
RING-O,4.8MM (Ref # 92055A)	92055-0845	2
NOZZLE (Ref # 92062)	92062-0010	4
NOZZLE (Ref # 92062A)	92062-0568	1
PLUG (Ref # 92066)	92066-0836	3
BOLT,SOCKET,6X16 (Ref # 92154)	92154-0235	2
BOLT,FLANGED,6X14 (Ref # 92154A)	92154-1426	3
CLAMP (Ref # 92173)	92173-2552	2
BOLT-FLANGED-SMALL,6X12 (Ref # 132)	132BA0612	1