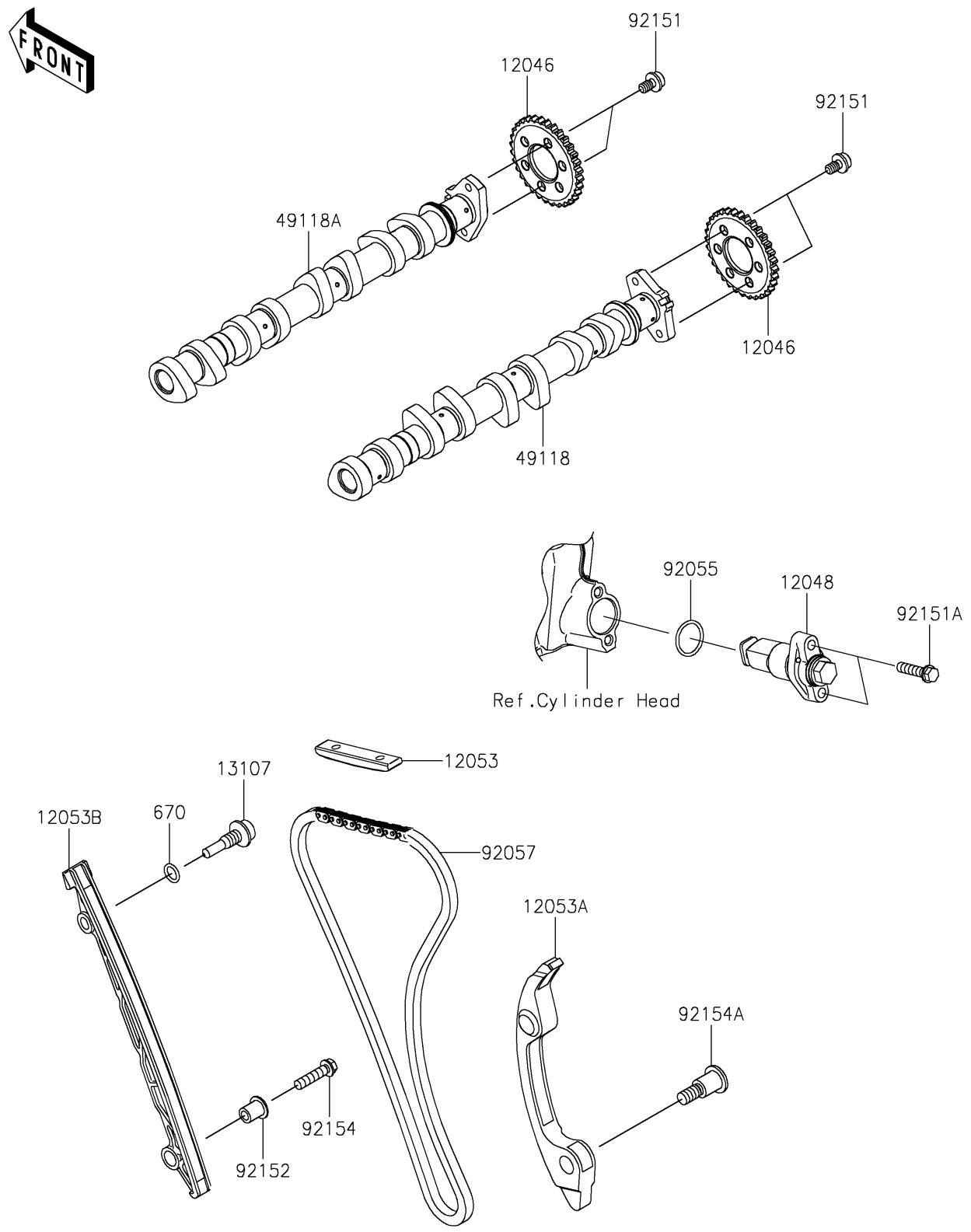


# 2024 NINJA® ZX™ -4RR KRT EDITION ABS PARTS DIAGRAM

Camshaft(s)/Tensioner

E1230



## 2024 NINJA® ZX™ -4RR KRT EDITION ABS PARTS LIST

### Camshaft(s)/Tensioner

ITEM NAME	PART NUMBER	QUANTITY
SPROCKET,32T (Ref # 12046)	12046-0621	2
TENSIONER-ASSY (Ref # 12048)	12048-0111	1
GUIDE-CHAIN,UPP (Ref # 12053)	12053-0051	1
GUIDE-CHAIN,RR (Ref # 12053A)	12053-0325	1
GUIDE-CHAIN,FR (Ref # 12053B)	12053-0330	1
SHAFT,CHAIN GUIDE (Ref # 13107)	13107-0157	1
CAMSHAFT-COMP,INTAKE (Ref # 49118)	49118-1289	1
CAMSHAFT-COMP,EXHAUST (Ref # 49118A)	49118-1290	1
RING-O,18.8X1.9 (Ref # 92055)	92055-086	1
CHAIN,CAM,98XRH2010-110M (Ref # 92057)	92057-0782	1
BOLT,SOCKET,6X10 (Ref # 92151)	92151-1829	4
BOLT,FLANGED-SMALL,6X25 (Ref # 92151A)	92151-1930	2
COLLAR (Ref # 92152)	92152-0413	1
BOLT,FLANGED,6X25 (Ref # 92154)	92154-0520	1
BOLT,SOCKET,8X29.2 (Ref # 92154A)	92154-0953	1
O RING,9MM (Ref # 670)	670D1509	1