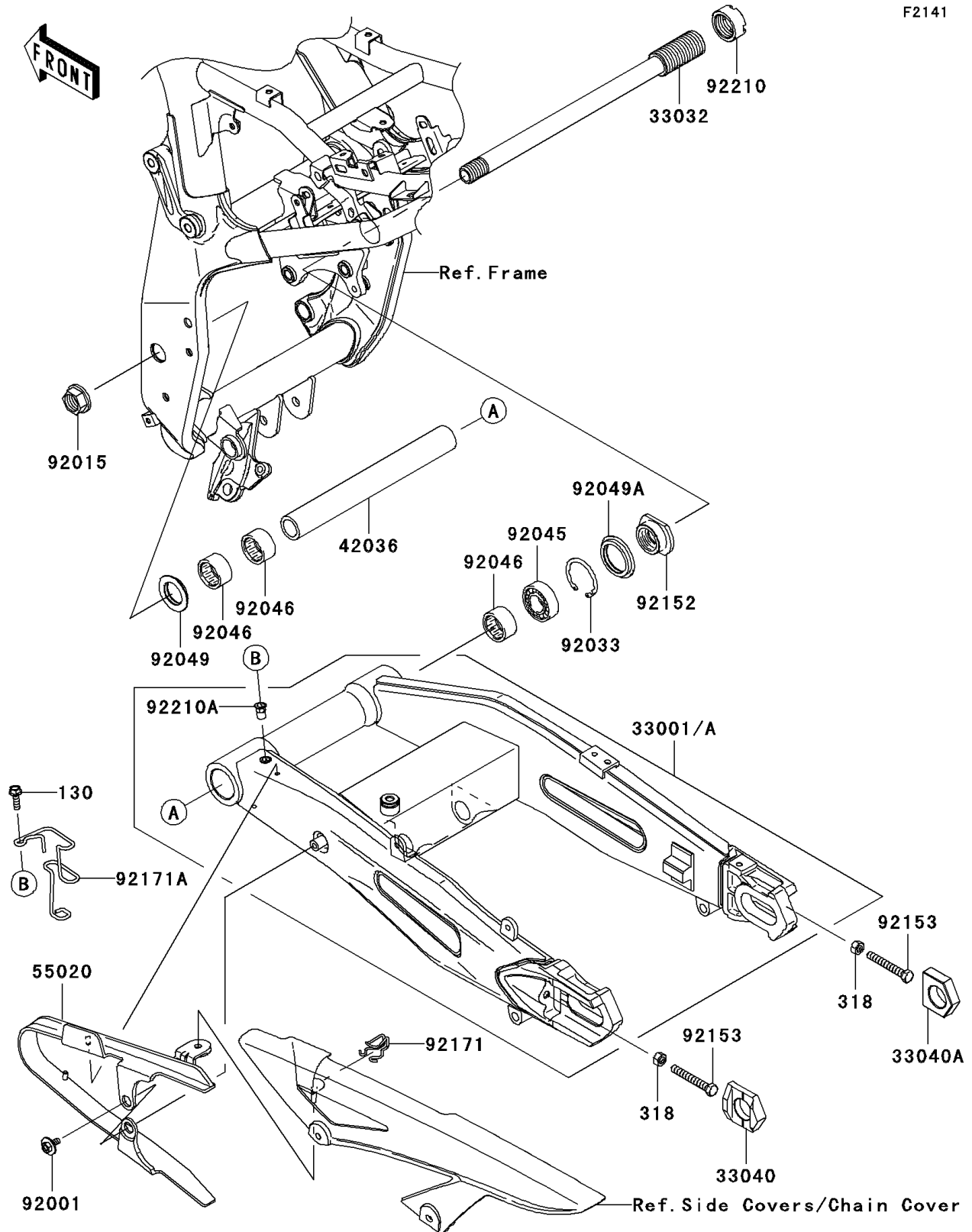


2009 Z1000 (European) PARTS DIAGRAM

Swingarm

F2141



2009 Z1000 (European) PARTS LIST

Swingarm

ITEM NAME	PART NUMBER	QUANTITY
BOLT-FLANGED,6X20 (Ref # 130)	130AA0620	1
NUT-HEX-SMALL,8MM (Ref # 318)	318BA0800	1
ARM-COMP-SWING,BLACK (Ref # 33001A)	33001-0129-18R	1
SHAFT-SWING ARM (Ref # 33032)	33032-0005	1
ADJUSTER-CHAIN,LH (Ref # 33040)	33040-0017	1
ADJUSTER-CHAIN,RH (Ref # 33040A)	33040-0018	1
SLEEVE,SWING ARM,L=237 (Ref # 42036)	42036-1264	1
GUARD,CHAIN (Ref # 55020)	55020-0330	1
BOLT,6X12 (Ref # 92001)	92001-1771	1
NUT,FLANGED,20MM (Ref # 92015)	92015-1724	1
RING-SNAP,42MM (Ref # 92033)	92033-1041	1
BEARING-BALL,6004UL11 (Ref # 92045)	92045-0017	1
BEARING-NEEDLE,7E-HVS 28X34X17 (Ref # 92046)	92046-0008	1
SEAL-OIL (Ref # 92049)	92049-1181	1
SEAL-OIL,MHA 35 42 5.7F (Ref # 92049A)	92049-1380	1
COLLAR,SWING ARM PIVOT,RH (Ref # 92152)	92152-0136	1
BOLT,8X55 (Ref # 92153)	92153-1407	1
CLAMP (Ref # 92171)	92171-0907	1
CLAMP,DRAIN HOSE (Ref # 92171A)	92171-0967	1
NUT,28X1.0 (Ref # 92210)	92210-1347	1
NUT,POP,6MM,L=15 (Ref # 92210A)	92210-1397	1