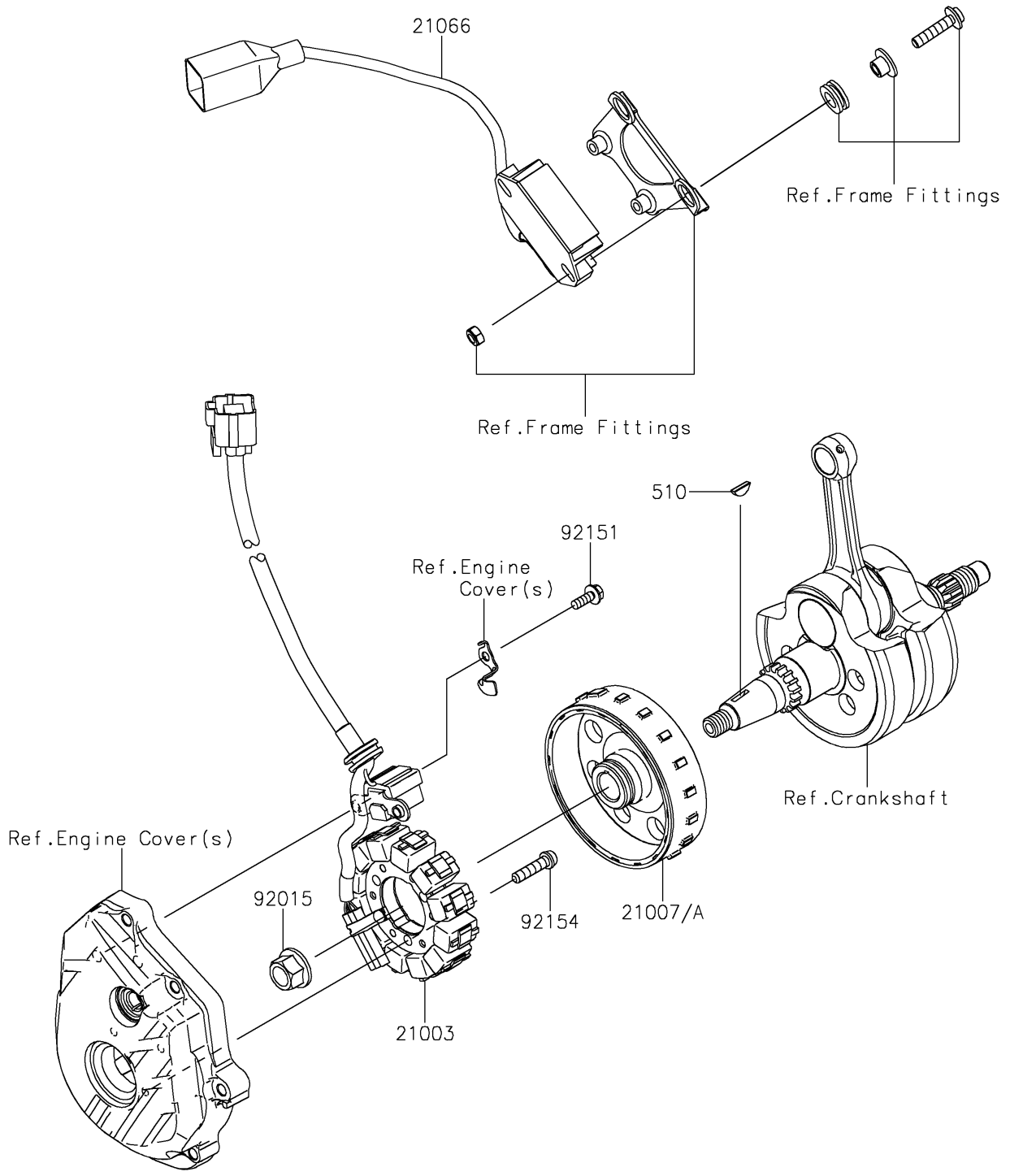


2021 KX™ 250 PARTS DIAGRAM

Generator

E1810



2021 KX™ 250 PARTS LIST

Generator

| ITEM NAME | PART NUMBER | QUANTITY |
|---------------------------------|-------------|----------|
| STATOR (Ref # 21003) | 21003-0205 | 1 |
| ROTOR (Ref # 21007) | 21007-0703 | 1 |
| REGULATOR-VOLTAGE (Ref # 21066) | 21066-0743 | 1 |
| NUT,12MM (Ref # 92015) | 92015-1426 | 1 |
| BOLT,5X14 (Ref # 92151) | 92151-1764 | 2 |
| BOLT,SOCKET,6X25 (Ref # 92154) | 92154-2793 | 3 |
| KEY-WOODRUFF (Ref # 510) | 510A3200 | 1 |