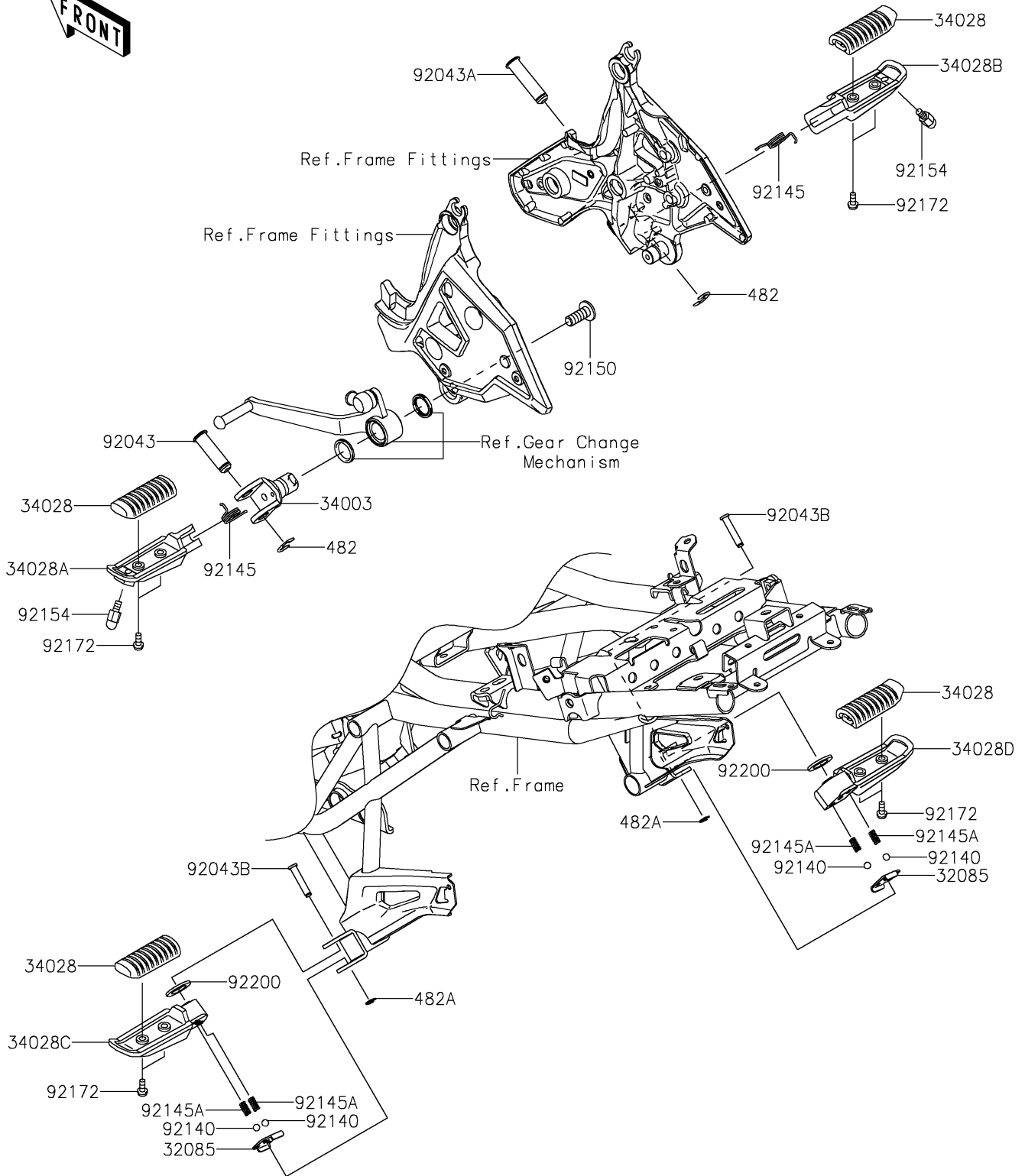


2024 Versys 650 PARTS DIAGRAM

Footrests

F2160



2024 Versys 650 PARTS LIST

Footrests

ITEM NAME	PART NUMBER	QUANTITY
STOPPER,REAR STEP (Ref # 32085)	32085-0047	2
HOLDER-STEP,FR,LH (Ref # 34003)	34003-0145	1
STEP,RUBBER (Ref # 34028)	34028-0133	4
STEP,FR,LH (Ref # 34028A)	34028-0327	1
STEP,FR,RH (Ref # 34028B)	34028-0328	1
STEP,RR,LH (Ref # 34028C)	34028-0377	1
STEP,RR,RH (Ref # 34028D)	34028-0378	1
PIN,12X37 (Ref # 92043)	92043-0025	1
PIN,12X37.5 (Ref # 92043A)	92043-0026	1
PIN,6X34 (Ref # 92043B)	92043-1271	2
BALL,6.35MM (Ref # 92140)	92140-0008	4
SPRING,STEP RETURN (Ref # 92145)	92145-0723	2
SPRING (Ref # 92145A)	92145-1319	4
BOLT,SOCKET,10X25 (Ref # 92150)	92150-1268	1
BOLT,BANK SENSOR (Ref # 92154)	92154-0838	2
SCREW-PAN-WP-CROS,5X14 (Ref # 92172)	92172-0473	8
WASHER,16X26X2.3 (Ref # 92200)	92200-0043	2
CIRCLIP-TYPE-E,10MM (Ref # 482)	482EA0100	2
CIRCLIP-TYPE-E (Ref # 482A)	482EA5000	2