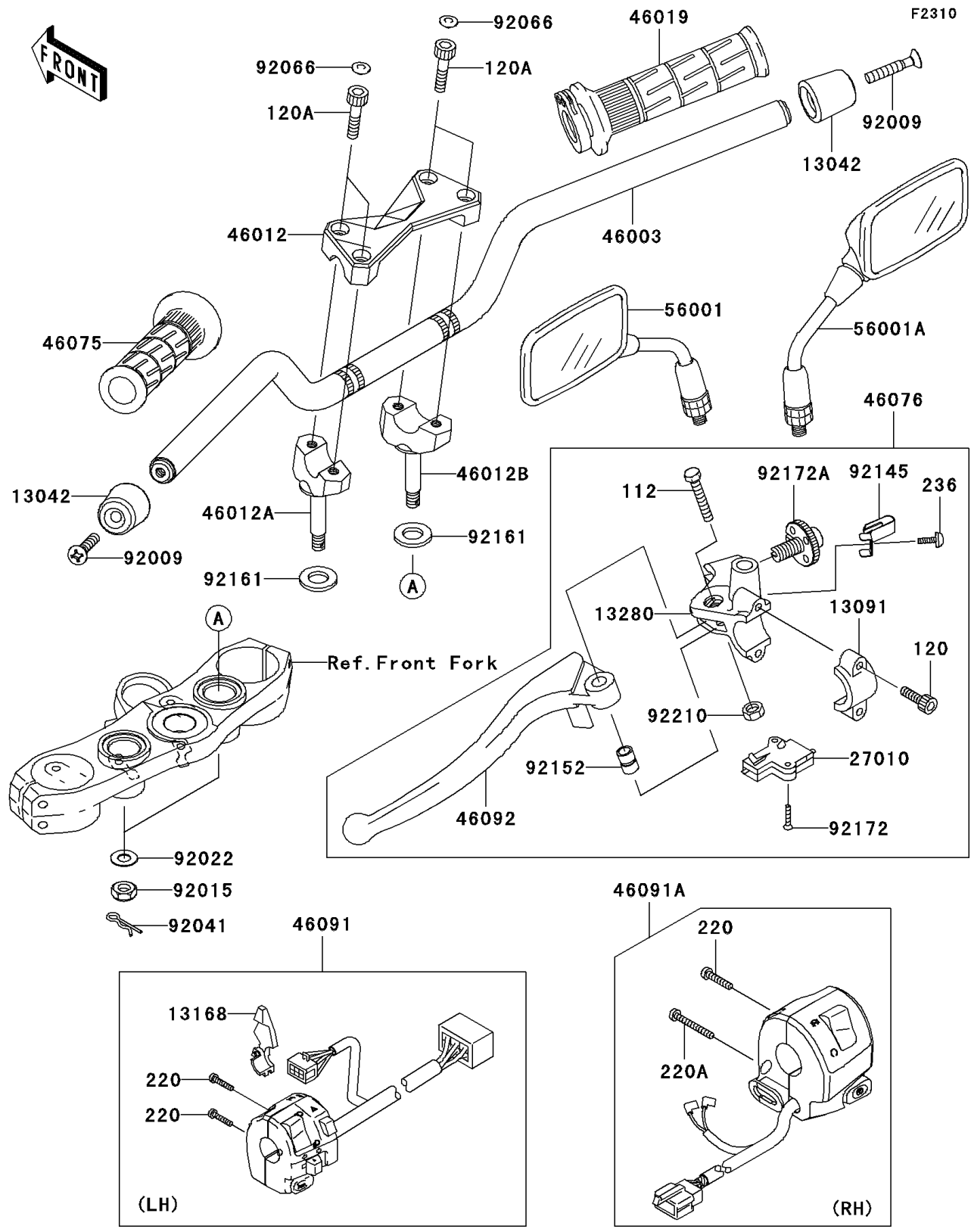


# 2006 Z1000 PARTS DIAGRAM

Handlebar



## 2006 Z1000 PARTS LIST

### Handlebar

ITEM NAME	PART NUMBER	QUANTITY
BOLT-UPSET,6X30 (Ref # 112)	112J0630	1
BOLT-SOCKET,6X20 (Ref # 120)	120S0620	2
BOLT-SOCKET,8X30 (Ref # 120A)	120S0830	4
SCREW-PAN-CROS,5X25 (Ref # 220)	220C0525	3
SCREW-PAN-CROS,5X40 (Ref # 220A)	220C0540	1
SCREW-PAN-WSP-CROS,4X10 (Ref # 236)	236C0410	1
WEIGHT,HANDLE (Ref # 13042)	13042-1005	2
HOLDER,CLUTCH LEVER (Ref # 13091)	13091-1624	1
LEVER,CHOKE (Ref # 13168)	13168-1516	1
HOLDER,CLUTCH LEVER (Ref # 13280)	13280-0017	1
SWITCH,CLUTCH,BLACK (Ref # 27010)	27010-1094	1
HANDLE (Ref # 46003)	46003-1594	1
HOLDER-HANDLE,UPP (Ref # 46012)	46012-1338	1
HOLDER-HANDLE,LWR,LH (Ref # 46012A)	46012-1339	1
HOLDER-HANDLE,LWR,RH (Ref # 46012B)	46012-1340	1
GRIP-ASSY,THROTTLE (Ref # 46019)	46019-0001	1
GRIP,LH (Ref # 46075)	46075-1144	1
LEVER-ASSY-GRIP,CLUTCH (Ref # 46076)	46076-0005	1
HOUSING-ASSY-CONTROL,LH (Ref # 46091)	46091-0031	1
HOUSING-ASSY-CONTROL,RH (Ref # 46091A)	46091-1891	1
LEVER-GRIP,CLUTCH (Ref # 46092)	46092-0003	1
MIRROR-ASSY,LH (Ref # 56001)	56001-0030	1
MIRROR-ASSY,RH (Ref # 56001A)	56001-0031	1
SCREW,8X45 (Ref # 92009)	92009-1257	2
NUT,LOCK,10MM (Ref # 92015)	92015-1962	2
WASHER,10.2X28X2 (Ref # 92022)	92022-1088	2
COTTER,8MM (Ref # 92041)	92041-1060	2
PLUG (Ref # 92066)	92066-1216	4
SPRING (Ref # 92145)	92145-1286	1

## 2006 Z1000 PARTS LIST

### Handlebar

ITEM NAME	PART NUMBER	QUANTITY
COLLAR (Ref # 92152)	92152-0103	1
DAMPER (Ref # 92161)	92161-0037	2
SCREW,3X16 (Ref # 92172)	92172-0183	2
SCREW,ADJUST NUT (Ref # 92172A)	92172-1060	1
NUT,LOCK,6MM (Ref # 92210)	92210-0006	1