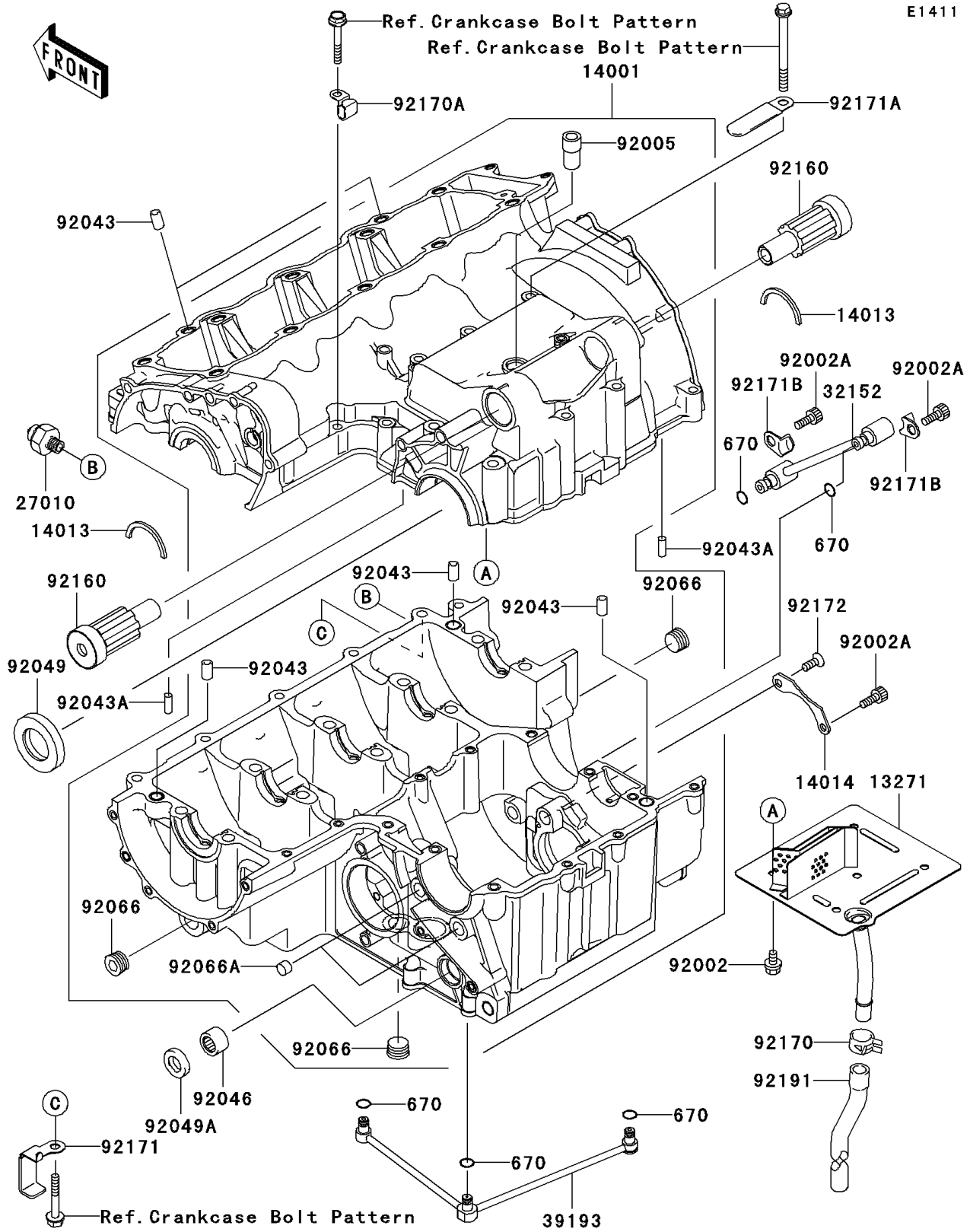


# 2006 Z1000 PARTS DIAGRAM

## Crankcase



E1411

## 2006 Z1000 PARTS LIST

### Crankcase

ITEM NAME	PART NUMBER	QUANTITY
O RING (Ref # 670)	670D1505	5
PLATE,BREATHER (Ref # 13271)	13271-1511	1
SET-CRANKCASE (Ref # 14001)	14001-1321	1
RING-POSITION (Ref # 14013)	14013-1051	2
PLATE-POSITION (Ref # 14014)	14014-1140	1
SWITCH,OIL PRESSURE (Ref # 27010)	27010-1313	1
PIPE,RH,L=76.8 (Ref # 32152)	32152-1545	1
PIPE-OIL (Ref # 39193)	39193-0014	1
BOLT,6X10 (Ref # 92002)	92002-1449	5
BOLT,SOCKET,6X16 (Ref # 92002A)	92002-1778	3
FITTING,BREATHER (Ref # 92005)	92005-1238	1
PIN,DOWEL,10X14 (Ref # 92043)	92043-1037	5
PIN,6X16 (Ref # 92043A)	92043-1690	2
BEARING-NEEDLE,7E-HK1412 (Ref # 92046)	92046-037	1
SEAL-OIL,TC32578 (Ref # 92049)	92049-1474	1
SEAL-OIL,TC14245 (Ref # 92049A)	92049-1520	1
PLUG,PT3/8X10 (Ref # 92066)	92066-0003	3
PLUG (Ref # 92066A)	92066-1110	2
DAMPER (Ref # 92160)	92160-1868	2
CLAMP (Ref # 92170)	92170-1118	1
CLAMP (Ref # 92170A)	92170-1577	1
CLAMP,WATER HOSE (Ref # 92171)	92171-0070	1
CLAMP (Ref # 92171A)	92171-0092	1
CLAMP,OIL PIPE (Ref # 92171B)	92171-0302	2
SCREW,6X16 (Ref # 92172)	92172-0090	1
TUBE,BREATHER (Ref # 92191)	92191-1776	1