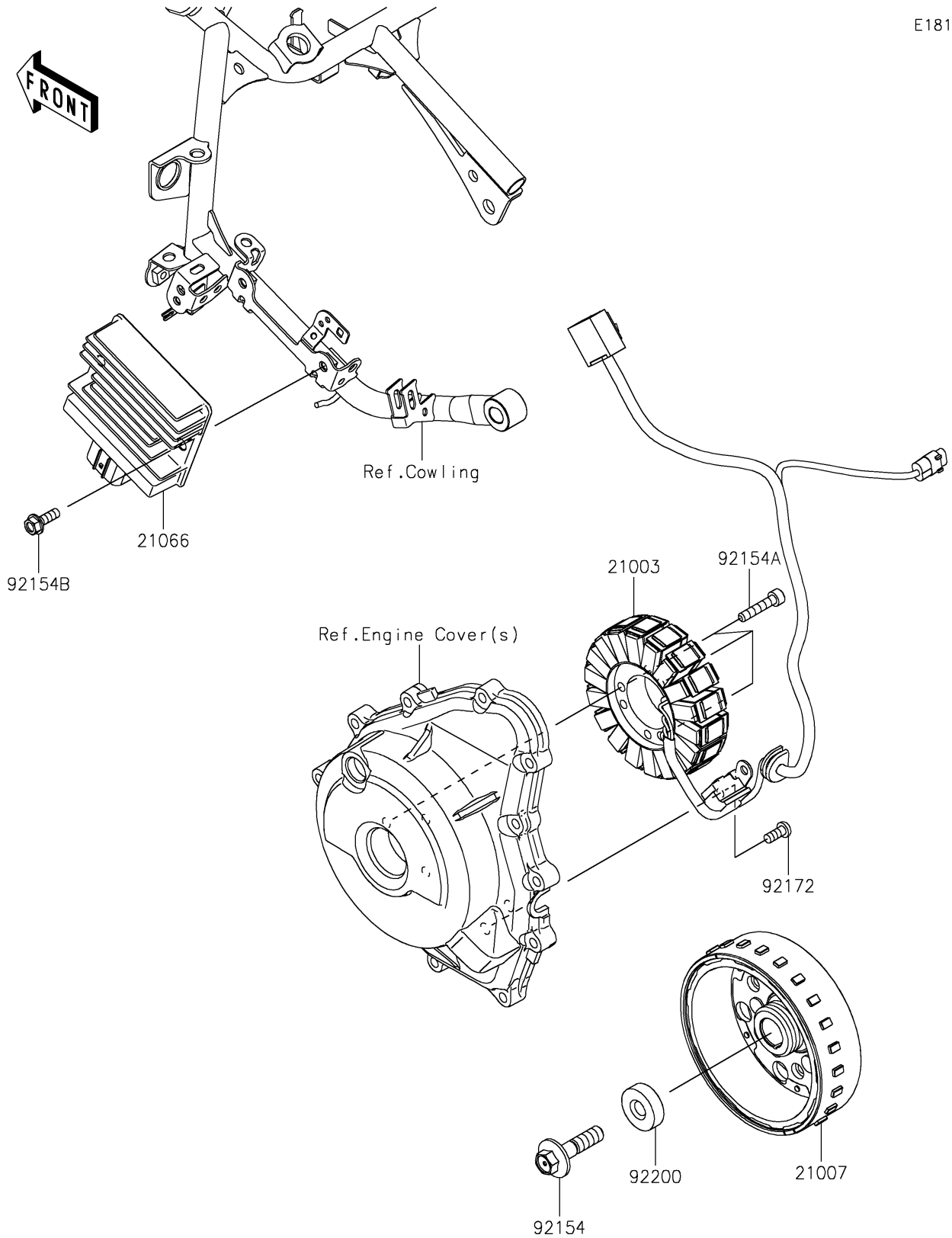


# 2023 Ninja<sup>®</sup> 400 ABS PARTS DIAGRAM

Generator

E1810



# 2023 Ninja® 400 ABS PARTS LIST

Generator

ITEM NAME	PART NUMBER	QUANTITY
-----------	-------------	----------