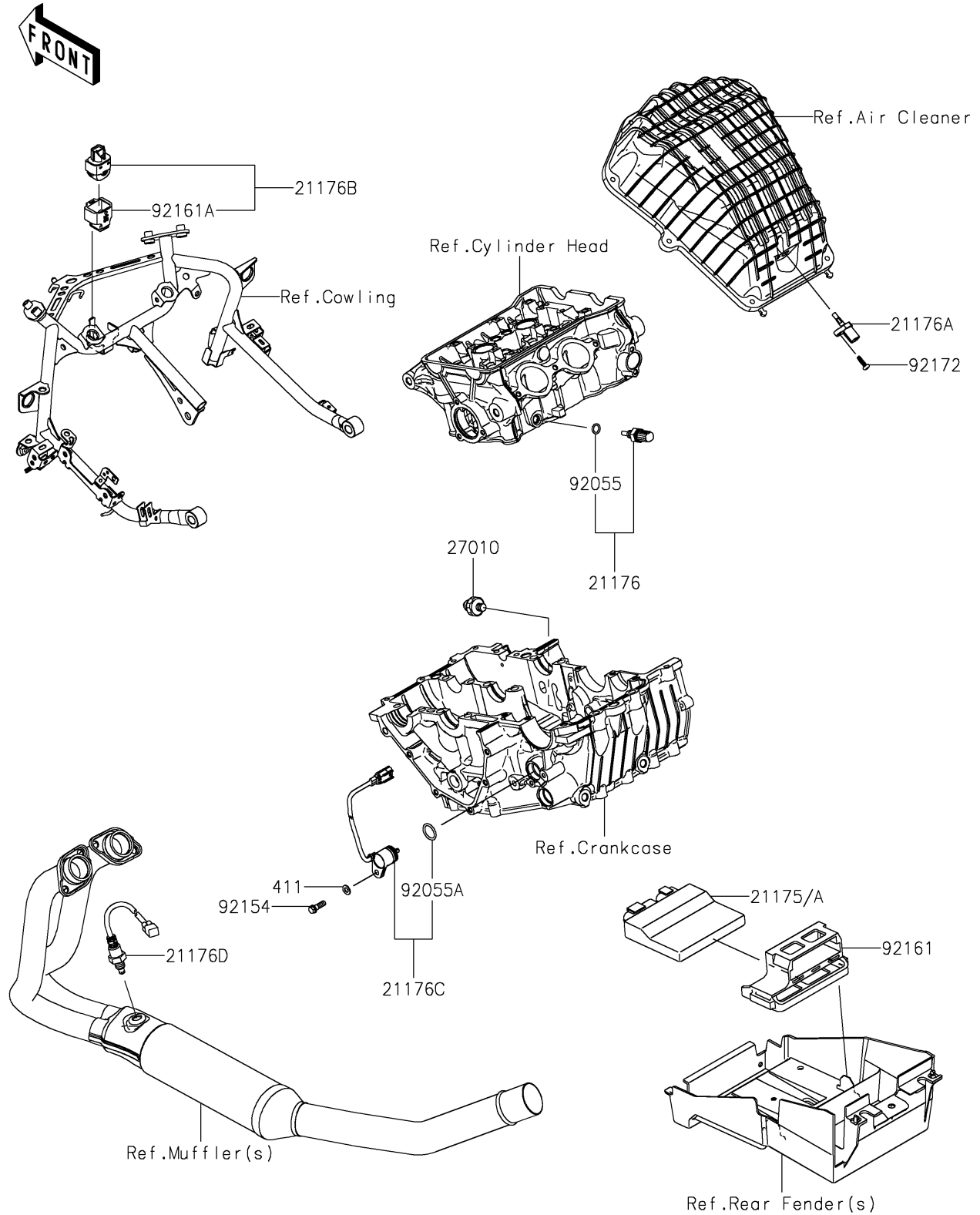


# 2022 NINJA® 400 PARTS DIAGRAM

## Fuel Injection

E1530



# 2022 NINJA® 400 PARTS LIST

Fuel Injection

ITEM NAME	PART NUMBER	QUANTITY
-----------	-------------	----------