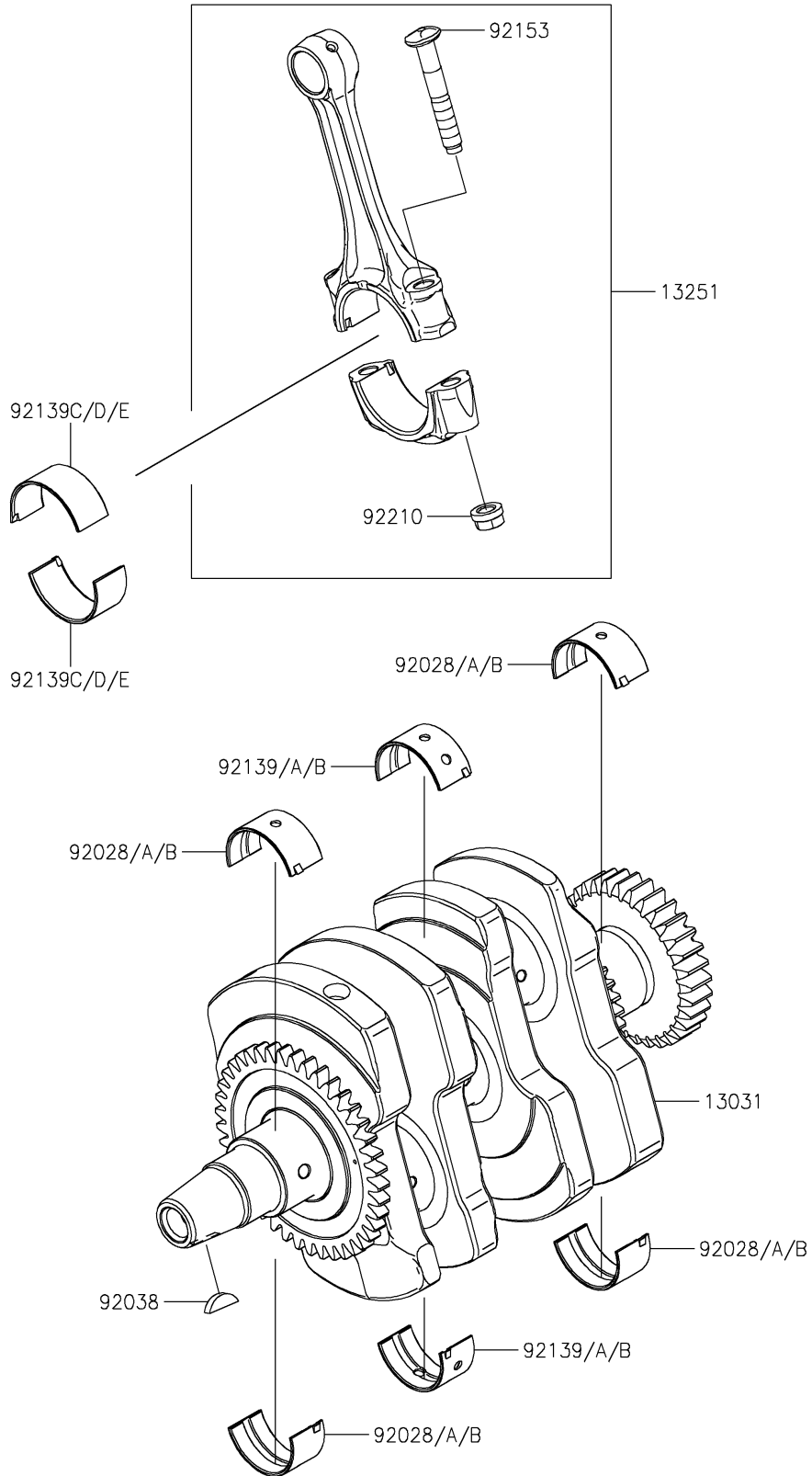


2022 NINJA[®] 400 PARTS DIAGRAM

Crankshaft

E1321



2022 NINJA® 400 PARTS LIST

Crankshaft

ITEM NAME	PART NUMBER	QUANTITY
-----------	-------------	----------