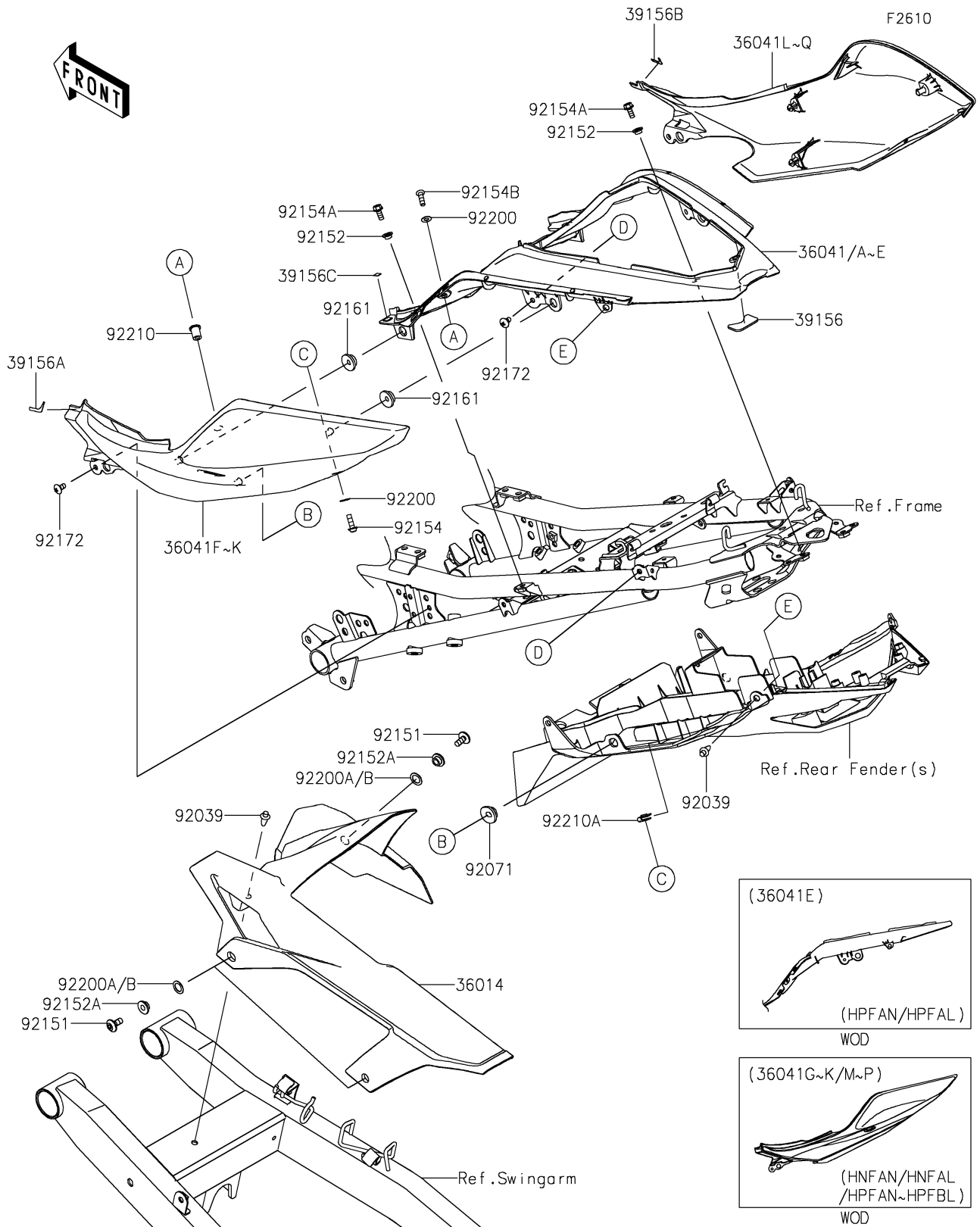


# 2023 NINJA® 400 KRT EDITION

## PARTS DIAGRAM

### Side Covers/Chain Cover



# 2023 NINJA® 400 KRT EDITION

## PARTS LIST

### Side Covers/Chain Cover

ITEM NAME	PART NUMBER	QUANTITY
CASE-CHAIN (Ref # 36014)	36014-0571	1
COVER-TAIL,CNT,M.C.GRAY (Ref # 36041A)	36041-0036-51A	1
COVER-TAIL,CNT,P.B.WHITE (Ref # 36041B)	36041-0036-54X	1
COVER-TAIL,CNT,EBONY (Ref # 36041E)	36041-0036-H8	1
COVER-TAIL,LH,M.C.GRAY (Ref # 36041F)	36041-0037-51A	1
COVER-TAIL,LH,P.B.WHITE (Ref # 36041G)	36041-0037-54X	1
COVER-TAIL,LH,L.GREEN (Ref # 36041J)	36041-0037-777	1
COVER-TAIL,RH,M.C.GRAY (Ref # 36041L)	36041-0038-51A	1
COVER-TAIL,RH,P.B.WHITE (Ref # 36041M)	36041-0038-54X	1
COVER-TAIL,RH,L.GREEN (Ref # 36041P)	36041-0038-777	1
PAD,19.4X34X2 (Ref # 39156)	39156-2218	1
PAD,TAIL COVER,FR,LH (Ref # 39156A)	39156-2298	1
PAD,TAIL COVER,FR,RH (Ref # 39156B)	39156-2299	1
PAD,5X13 (Ref # 39156C)	39156-2300	2
RIVET (Ref # 92039)	92039-0060	3
GROMMET,20X24X7.5 (Ref # 92071)	92071-0766	2
BOLT,SOCKET,6X14 (Ref # 92151)	92151-1654	3
COLLAR,6X8X4.5 (Ref # 92152)	92152-2395	4
COLLAR,6.5X10X5.9 (Ref # 92152A)	92152-2486	3
BOLT,SOCKET,5X16 (Ref # 92154)	92154-0209	2
BOLT,FLANGED,5X12 (Ref # 92154A)	92154-2893	4
BOLT,SOCKET,5X16 (Ref # 92154B)	92154-3837	2
DAMPER (Ref # 92161)	92161-1531	4
SCREW,5X10 (Ref # 92172)	92172-1090	4
WASHER,NYLONE,5.3X11.5X0.5 (Ref # 92200)	92200-0006	4
WASHER,10.4X15.9X0.5 (Ref # 92200B)	92200-2525	3
NUT,WELL,5MM (Ref # 92210)	92210-0498	2
NUT (Ref # 92210A)	92210-0571	2