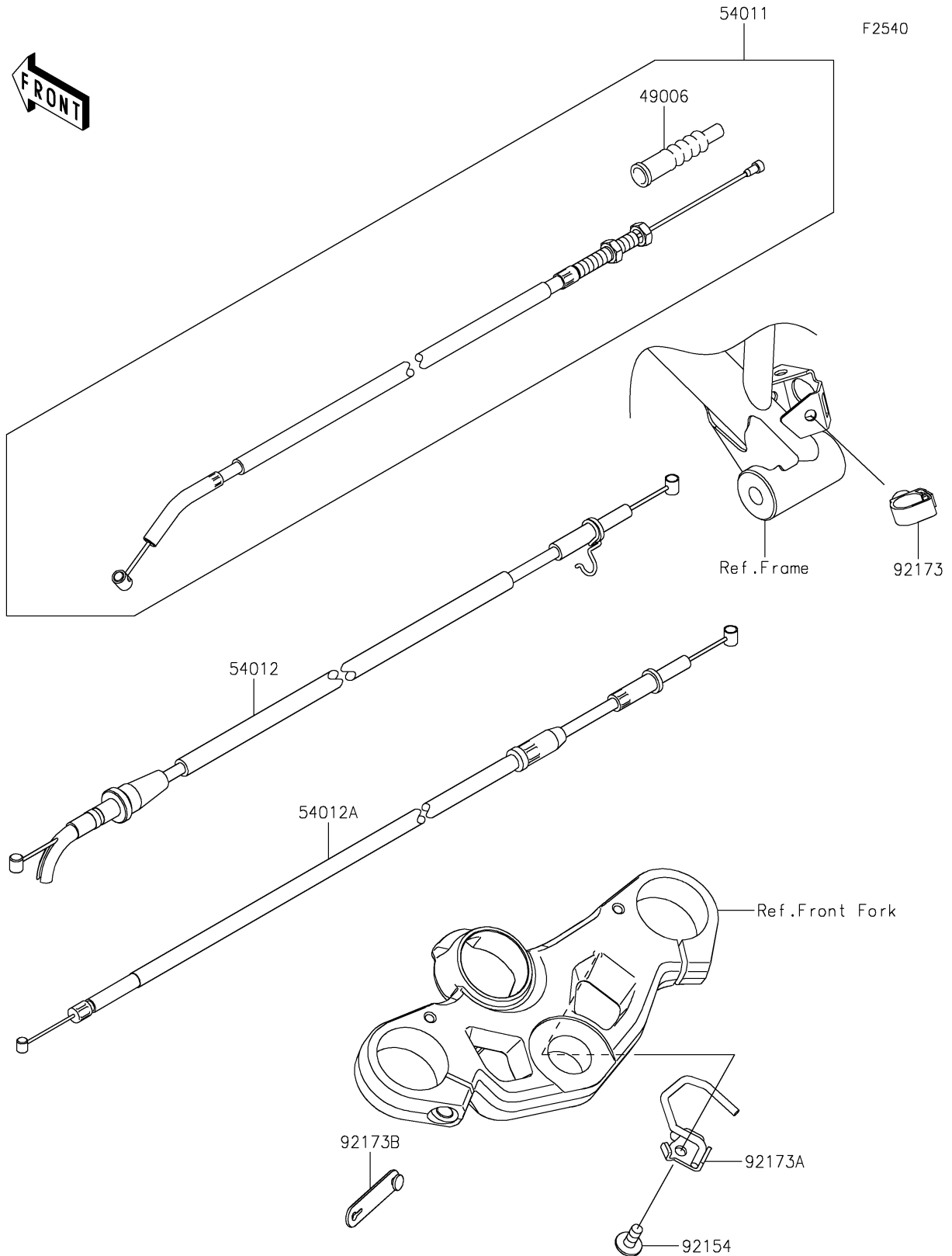


# 2023 Ninja 400

## PARTS DIAGRAM

### Cables



# 2023 Ninja 400

## PARTS LIST

### Cables

ITEM NAME	PART NUMBER	QUANTITY
BOOT,CLUTCH CABLE (Ref # 49006)	49006-0579	1
CABLE-CLUTCH (Ref # 54011)	54011-0627	1
CABLE-THROTTLE,OPENING (Ref # 54012)	54012-0659	1
CABLE-THROTTLE,CLOSING (Ref # 54012A)	54012-0660	1
BOLT,SOCKET,6X14 (Ref # 92154)	92154-0907	1
CLAMP,HOLDER CLIP (Ref # 92173)	92173-0868	1
CLAMP,UPP HOLDER,RH (Ref # 92173A)	92173-1789	1
CLAMP (Ref # 92173B)	92173-2198	1