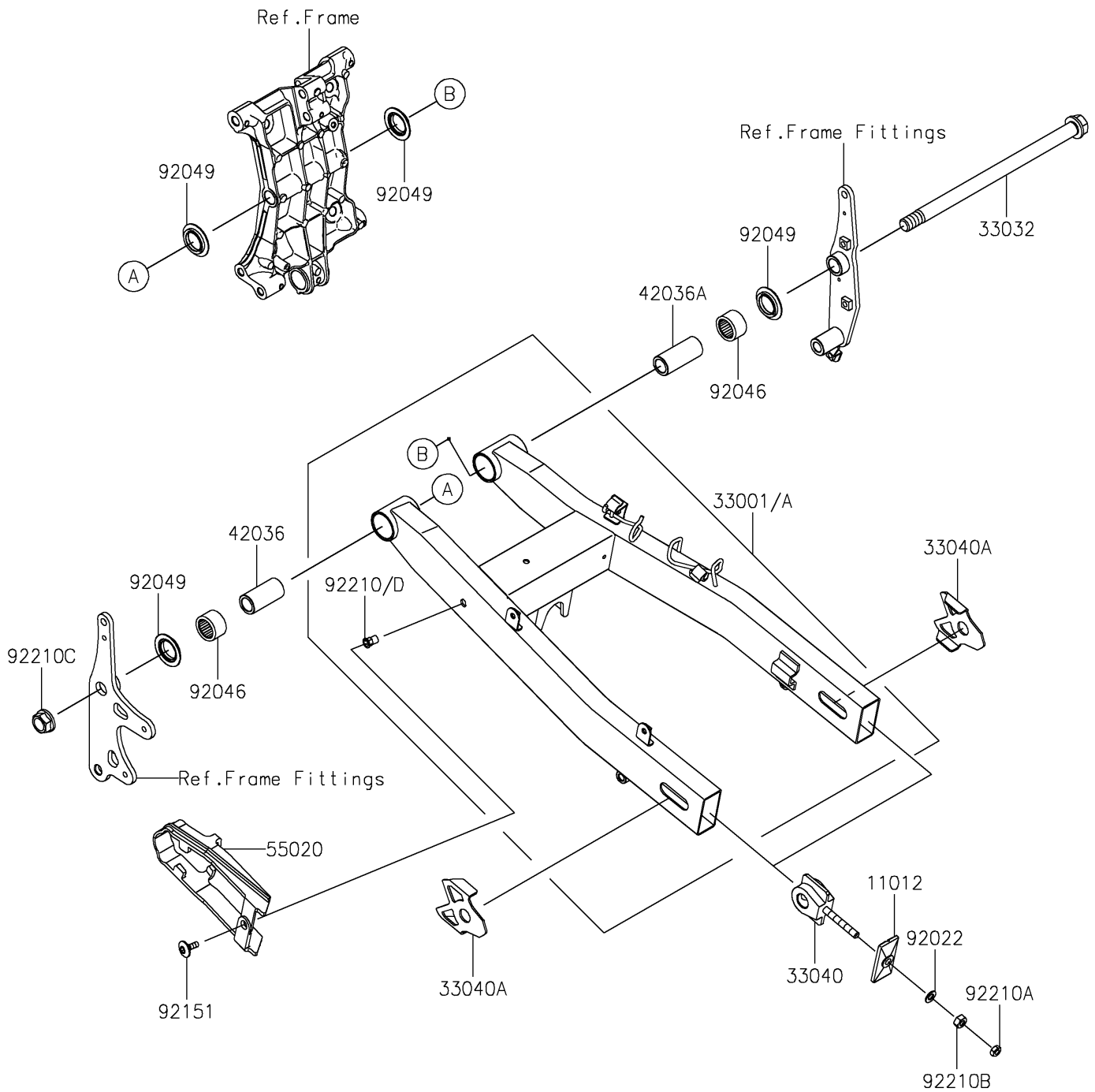


2023 Ninja 400

PARTS DIAGRAM

Swingarm

F2141



2023 Ninja 400

PARTS LIST

Swingarm

| ITEM NAME | PART NUMBER | QUANTITY |
|--|----------------|----------|
| CAP,CHAIN ADJUSTER,F.S.BLACK (Ref # 11012) | 11012-1871-18R | 2 |
| ARM-COMP-SWING,F.S.BLACK (Ref # 33001A) | 33001-0746-18R | 1 |
| SHAFT-SWING ARM,17X285 (Ref # 33032) | 33032-0056 | 1 |
| ADJUSTER-CHAIN (Ref # 33040) | 33040-0089 | 2 |
| ADJUSTER-CHAIN,F.S.BLACK (Ref # 33040A) | 33040-0090-18R | 2 |
| SLEEVE (Ref # 42036) | 42036-0805 | 1 |
| SLEEVE (Ref # 42036A) | 42036-0806 | 1 |
| GUARD,CHAIN (Ref # 55020) | 55020-2199 | 1 |
| WASHER,8.5X16X1.2 (Ref # 92022) | 92022-1582 | 2 |
| BEARING-NEEDLE,BM2520 (Ref # 92046) | 92046-1228 | 2 |
| SEAL-OIL,MF025N1 (Ref # 92049) | 92049-1426 | 4 |
| BOLT,SOCKET,6X18 (Ref # 92151) | 92151-1149 | 1 |
| NUT,8MM,5X12 (Ref # 92210A) | 92210-1588 | 2 |
| NUT,8MM,6.5X14 (Ref # 92210B) | 92210-1589 | 2 |
| NUT,16MM (Ref # 92210C) | 92210-1590 | 1 |
| NUT,POP,6MM,L=15 (Ref # 92210D) | 92210-1897 | 1 |