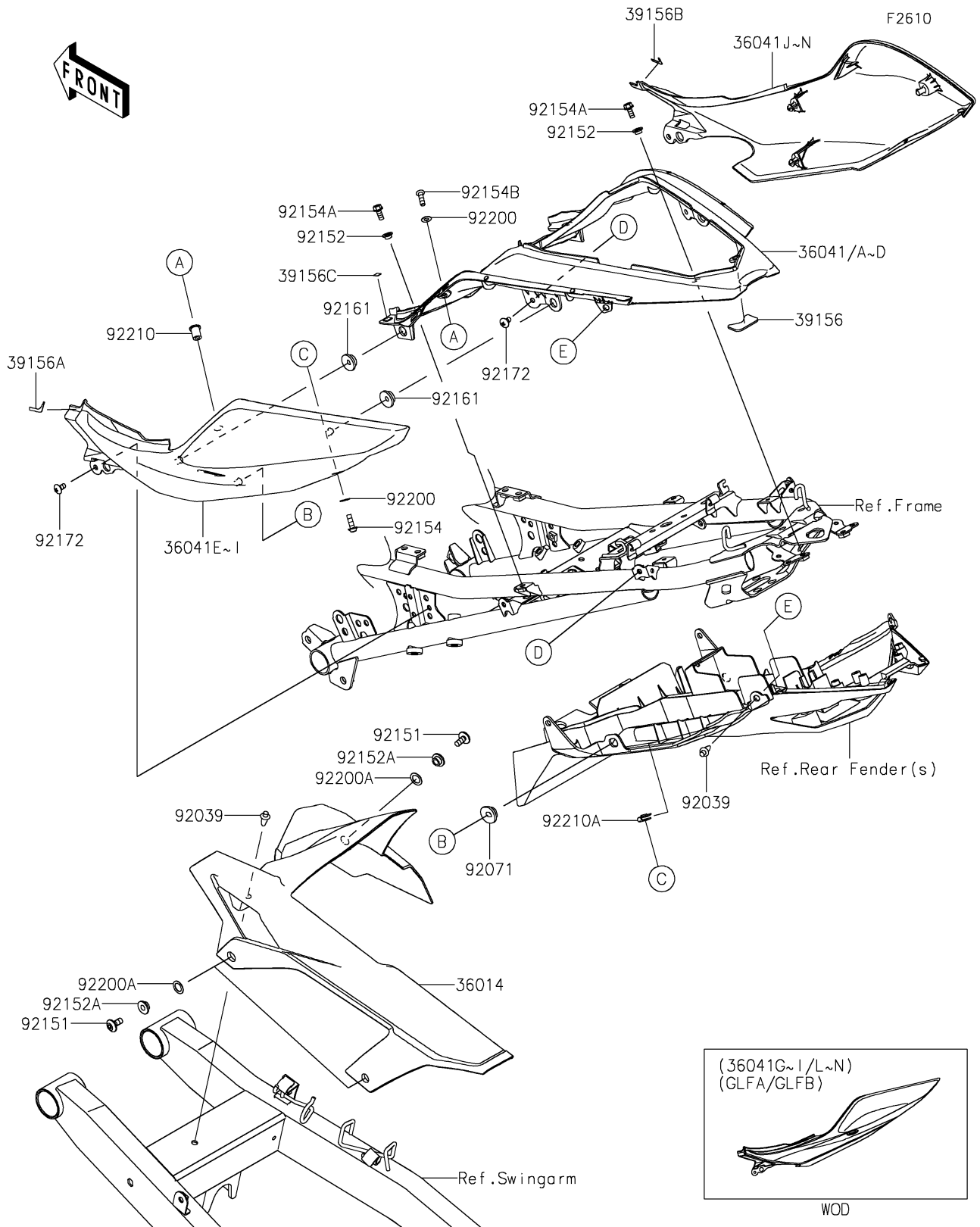


# 2020 NINJA® 400 ABS KRT EDITION PARTS DIAGRAM

## Side Covers/Chain Cover



## 2020 NINJA® 400 ABS KRT EDITION PARTS LIST

### Side Covers/Chain Cover

ITEM NAME	PART NUMBER	QUANTITY
COVER-TAIL,CNT,P.RED (Ref # 36041)	36041-0036-234	1
COVER-TAIL,CNT,P.B.WHITE (Ref # 36041A)	36041-0036-54X	1
COVER-TAIL,LH,P.RED (Ref # 36041E)	36041-0037-234	1
COVER-TAIL,LH,P.B.WHITE (Ref # 36041F)	36041-0037-54X	1
COVER-TAIL,RH,P.RED (Ref # 36041J)	36041-0038-234	1
COVER-TAIL,RH,P.B.WHITE (Ref # 36041K)	36041-0038-54X	1