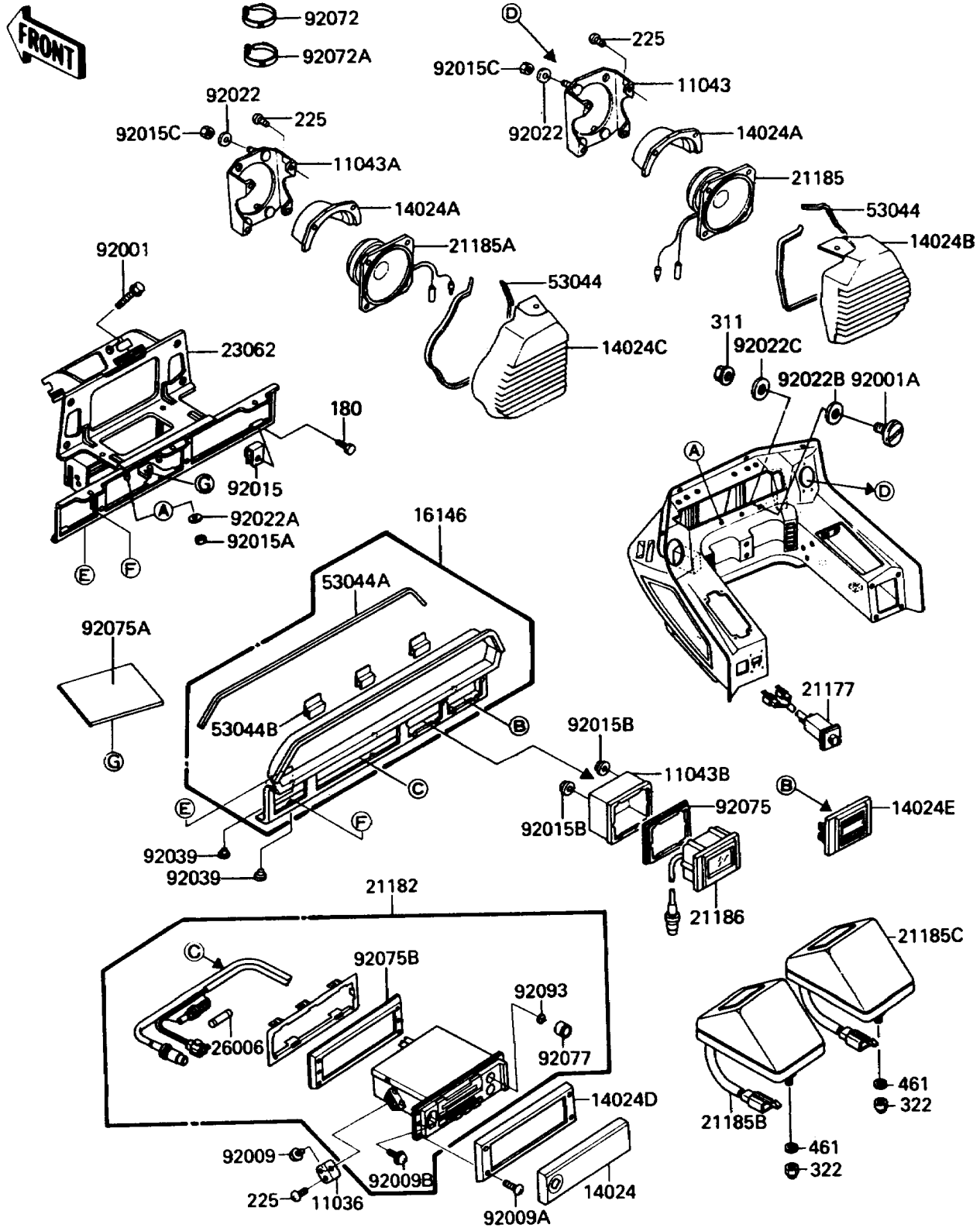


## 1987 Voyager PARTS DIAGRAM

Other

F2750A-0007



## 1987 Voyager PARTS LIST

Other

ITEM NAME	PART NUMBER	QUANTITY
BRACKET-A,CASSETTE DECK (Ref # 11036)	11036-1969	1
BRACKET-B,SPEAKER,RH (Ref # 11043)	11043-1321	1
BRACKET-B,SPEAKER,LH (Ref # 11043A)	11043-1322	1
BRACKET-B,RADIO INDICATOR (Ref # 11043B)	11043-1359	1
COVER,ANTI THEFT (Ref # 14024)	14025-1685	1
COVER,SPEAKER (Ref # 14024A)	14025-1686	1
COVER,SPEAKER,RH (Ref # 14024B)	14025-1780	1
COVER,SPEAKER,LH (Ref # 14024C)	14025-1781	1
COVER,CASSETTE DECK (Ref # 14024D)	14025-1789	1
COVER,CB INDICATOR (Ref # 14024E)	14025-1790	1
COVER-ASSY,METER (Ref # 16146)	16146-1054	1
CONTROLLER (Ref # 21177)	21177-1051	1
CASSETTE-DECK (Ref # 21182)	21182-1051	1
SPEAKER,RH (Ref # 21185)	21185-1053	1
SPEAKER,LH (Ref # 21185A)	21185-1054	1
SPEAKER,RR,LH,L.V.RED (Ref # 21185B)	21185-1059-P5	1
SPEAKER,RR,RH,L.V.RED (Ref # 21185C)	21185-1060-P5	1
INDICATOR-DIGITAL,RADIO-TUNER (Ref # 21186)	21186-1051	1
BRACKET-COMP,CASSETTE DECK (Ref # 23062)	23062-1034	1
FUSE,2A,L=30 (Ref # 26006)	26006-1001	1
TRIM (Ref # 53044)	53044-1112	1
TRIM,METER COVER (Ref # 53044A)	53044-1116	1
TRIM,METER COVER (Ref # 53044B)	53044-1118	1
BOLT,W/SP,6X18 (Ref # 92001)	92001-1764	1
BOLT,SPEAKER SWITCH (Ref # 92001A)	92001-1879	1
SCREW,PAN-CROS,W/WASHER (Ref # 92009)	92009-1259	1
SCREW,SOCKET,5X8 (Ref # 92009A)	92009-1268	1
SCREW,3X6 (Ref # 92009B)	92009-1278	1
NUT (Ref # 92015)	92015-1248	1

## 1987 Voyager PARTS LIST

Other

ITEM NAME	PART NUMBER	QUANTITY
NUT,LOCK 6MM (Ref # 92015A)	92015-1262	1
NUT,FLANGED,4MM (Ref # 92015B)	92015-1319	1
NUT,6MM (Ref # 92015C)	92016-062	1
WASHER,6.5X20X1.6 (Ref # 92022)	92022-125	1
WASHER,6.5X20X1.6,BLACK (Ref # 92022A)	92022-1346	1
WASHER,12.3X22X1.6 (Ref # 92022B)	92022-1515	1
WASHER,7X24X1.6 (Ref # 92022C)	92022-228	1
RIVET (Ref # 92039)	92039-1041	1
BAND,L=149 (Ref # 92072)	92072-031	1
BAND,L=218 (Ref # 92072A)	92072-032	1
DAMPER,INDICATOR DIGITAL (Ref # 92075)	92075-1577	1
DAMPER,CASSETTE DECK (Ref # 92075A)	92075-1584	1
DAMPER,CASETTE (Ref # 92075B)	92075-1607	1
KNOB,CASSETTE DECK (Ref # 92077)	92077-1053	1
SEAL,CASSETTE DECK (Ref # 92093)	92093-1155	1
BOLT-UPSET-WS (Ref # 180)	180C0618	1
SCREW-PAN-WSP-CROS (Ref # 225)	225B0410	1
NUT-HEX,6MM (Ref # 311)	311B0600	1
NUT-CAP,6MM (Ref # 322)	322N0600	1
WASHER-SPRING,6MM (Ref # 461)	461F0600	1