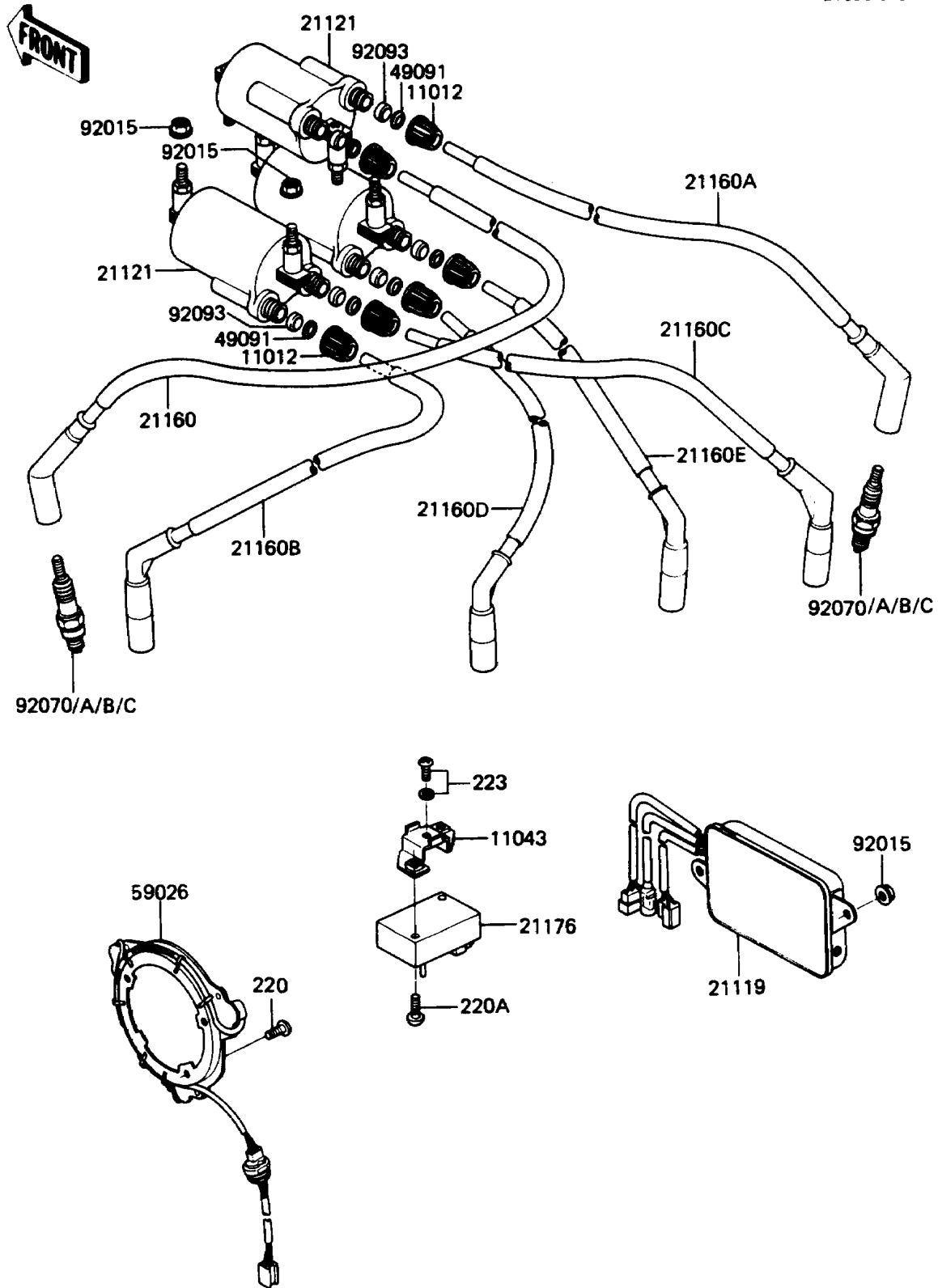


1987 Voyager PARTS DIAGRAM

Ignition System

E1830-0180



1987 Voyager PARTS LIST

Ignition System

ITEM NAME	PART NUMBER	QUANTITY
CAP,IGNITION COIL (Ref # 11012)	11012-1376	1
BRACKET-B,SENSOR (Ref # 11043)	11043-1338	1
IGNITER (Ref # 21119)	21119-1073	1
COIL-IGNITION (Ref # 21121)	21121-1112	1
CAP-ASSY-PLUG,#1 (Ref # 21160)	21160-1055	1
CAP-ASSY-PLUG,#6 (Ref # 21160A)	21160-1056	1
CAP-ASSY-PLUG,#2 (Ref # 21160B)	21160-1057	1
CAP-ASSY-PLUG,#5 (Ref # 21160C)	21160-1058	1
CAP-ASSY-PLUG,#3 (Ref # 21160D)	21160-1059	1
CAP-ASSY-PLUG,#4 (Ref # 21160E)	21160-1060	1
SENSOR,VACUUM (Ref # 21176)	21176-1006	1
WASHER-SEAL (Ref # 49091)	49091-1051	1
COIL-PULSING (Ref # 59026)	59026-1027	1
NUT,FLANGED,6MM (Ref # 92015)	92015-1193	1
PLUG-SPARK,BPR6ES(NGK) (Ref # 92070)	92070-1025	1
PLUG-SPARK,BPR7ES(NGK) (Ref # 92070A)	92070-1027	1
PLUG-SPARK,W20EPR-U(ND) (Ref # 92070B)		2
SEAL (Ref # 92093)	92093-1156	1
SCREW-PAN-CROS,6X12 (Ref # 220)	220B0612	1
SCREW-PAN-CROS,6X30,BLACK (Ref # 220A)	220C0630	1
SCREW-PAN-WS-CROS (Ref # 223)	223B0612	1