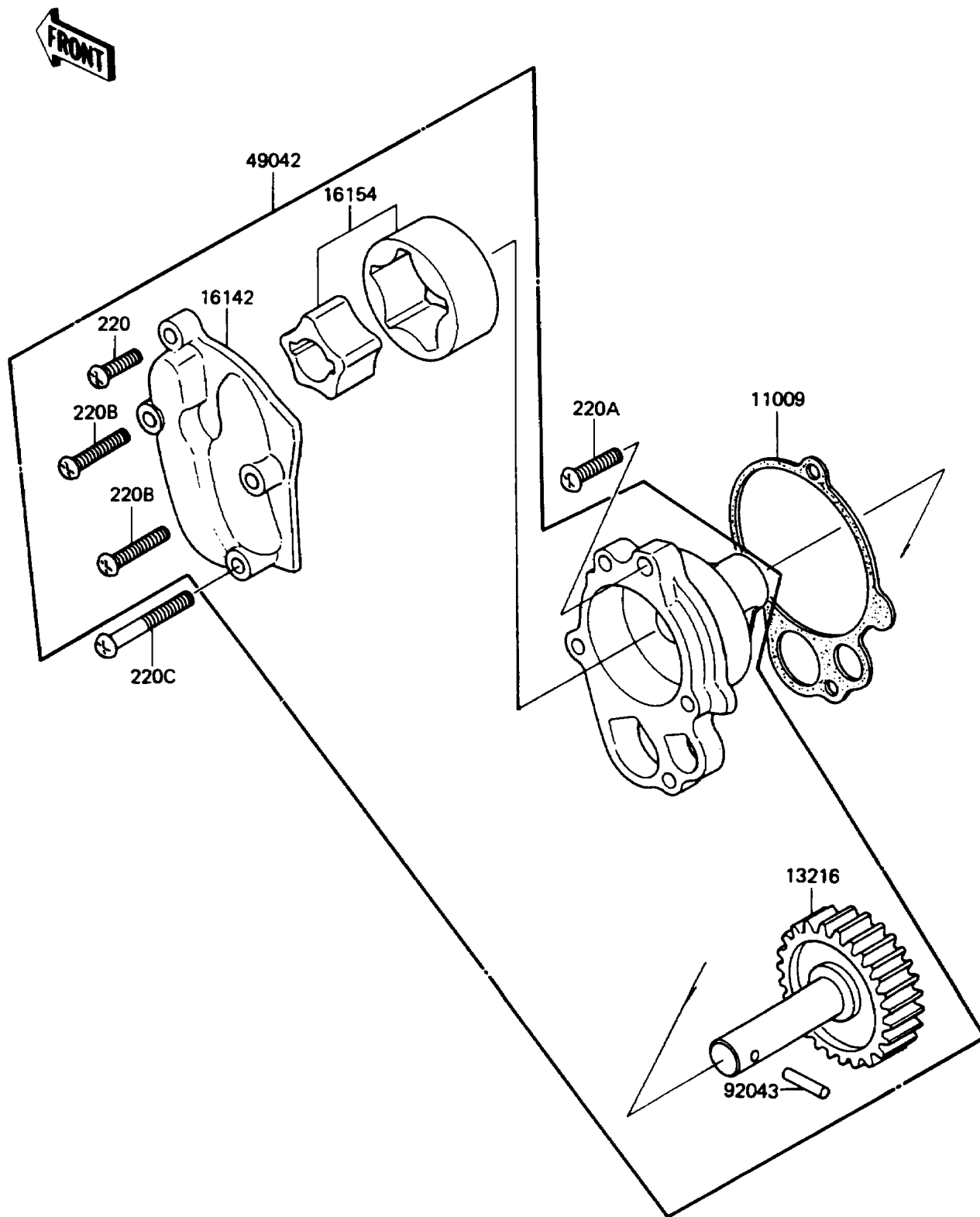


## 1987 Voyager PARTS DIAGRAM

Oil Pump

E1710-0042



## 1987 Voyager PARTS LIST

Oil Pump

ITEM NAME	PART NUMBER	QUANTITY
GASKET,OIL PUMP (Ref # 11009)	11009-1088	1
GEAR-COMP,OIL PUMP (Ref # 13216)	13216-1018	1
COVER-PUMP (Ref # 16142)	16142-1005	1
ROTOR-PUMP (Ref # 16154)	16154-1007	1
PUMP-OIL (Ref # 49042)	49042-1001	1
PIN,DOWEL,5X17.8 (Ref # 92043)	92043-1061	1
SCREW-PAN-CROS,6X18 (Ref # 220)	220B0618	1
SCREW-PAN-CROS,6X25 (Ref # 220A)	220B0625	1
SCREW-PAN-CROS,6X28 (Ref # 220B)	220B0628	1
SCREW-PAN-CROS,6X40 (Ref # 220C)	220B0640	1