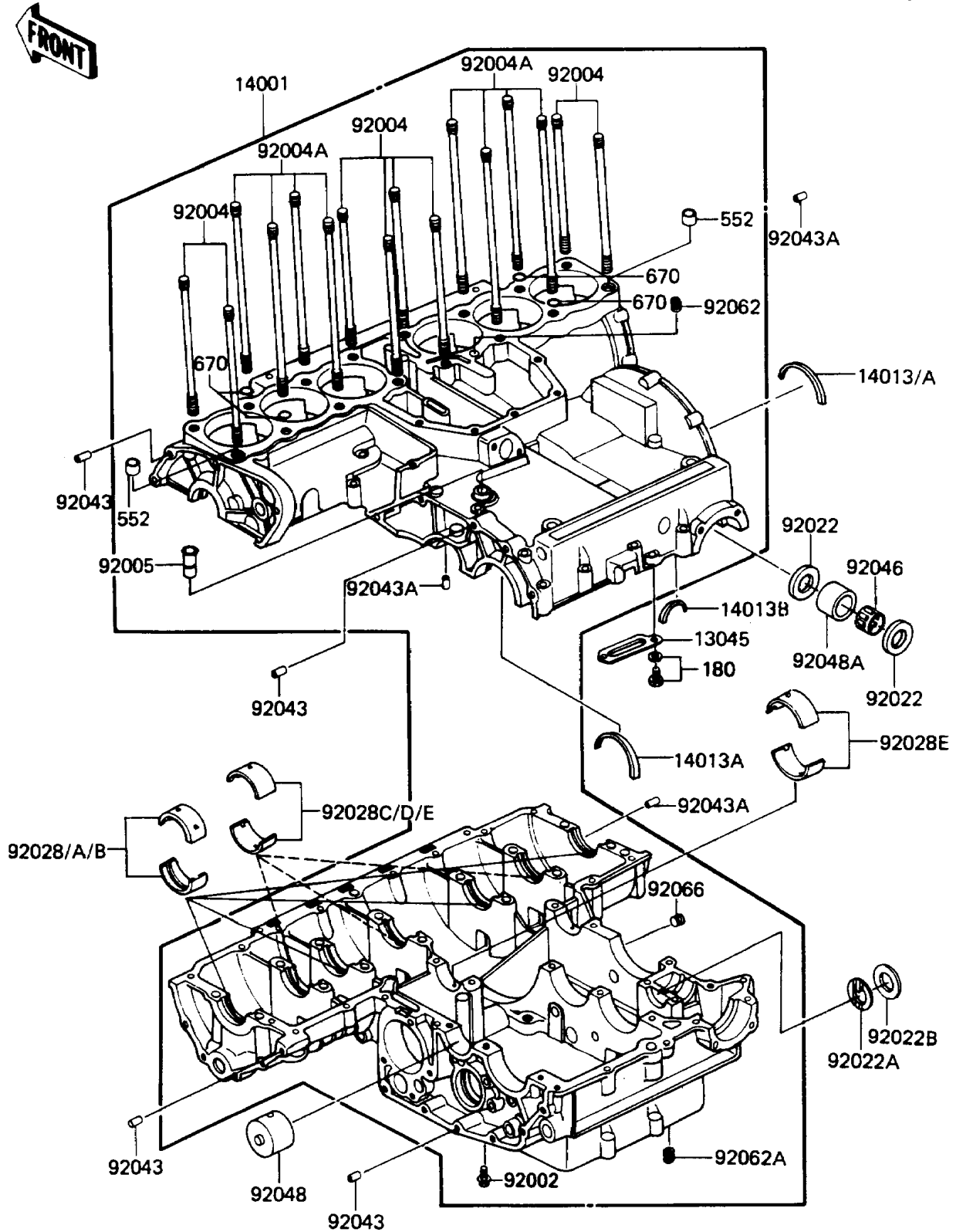


1987 Voyager PARTS DIAGRAM

Crankcase

E1411-0103



1987 Voyager PARTS LIST

Crankcase

ITEM NAME	PART NUMBER	QUANTITY
RECEIVER-OIL (Ref # 13045)	13045-1002	1
SET-CRANKCASE (Ref # 14001)	14001-5153	1
RING-POSITION,T=1.90 (Ref # 14013)	14013-013	1
RING-POSITION,T=1.98 (Ref # 14013A)	14013-1004	1
RING-POSITION (Ref # 14013B)	14013-1007	1
BOLT,8X95 (Ref # 92002)	92002-1077	1
STUD,10X153 (Ref # 92004)	92004-062	1
STUD,10X195 (Ref # 92004A)	92004-1019	1
FITTING,BREATHER (Ref # 92005)	14067-006	1
WASHER,THRUST,20.5MM (Ref # 92022)	92022-1280	1
WASHER,T=2.2 (Ref # 92022A)	92022-1388	1
WASHER,15X28X2.3 (Ref # 92022B)	92022-1389	1
BUSHING,MAIN JOURNAL,BLUE (Ref # 92028)	92028-1103	1
BUSHING,MAIN JOURNAL,BLACK (Ref # 92028A)	92028-1104	1
BUSHING,MAIN JOURNAL,BROWN (Ref # 92028B)	92028-1105	1
BUSHING,MAIN JOURNAL,BLUE (Ref # 92028C)	92028-1106	1
BUSHING,MAIN JOURNAL,BLACK (Ref # 92028D)	92028-1107	1
BUSHING,MAIN JOURNAL,BROWN (Ref # 92028E)	92028-1108	1
PIN,DOWEL,6.3X8X14 (Ref # 92043)	92042-007	1
PIN,DOWEL,6X16 (Ref # 92043A)	92042-016	1
BEARING-NEEDLE,TK202814E01 (Ref # 92046)	92046-1042	1
RACE,DRIVE SHAFT,LH (Ref # 92048)	92048-1008	1
RACE (Ref # 92048A)	92048-1018	1
NOZZLE,BLACK (Ref # 92062)	92062-011	1
NOZZLE,SILVER (Ref # 92062A)	92062-015	1
PLUG,OIL LINE,1/8X7 (Ref # 92066)	92066-059	1
BOLT-UPSET-WS (Ref # 180)	180B0616	1
PIN-DOWEL,6.5X10X12 (Ref # 552)	552B1012	1
O RING,12MM (Ref # 670)	670B2012	1