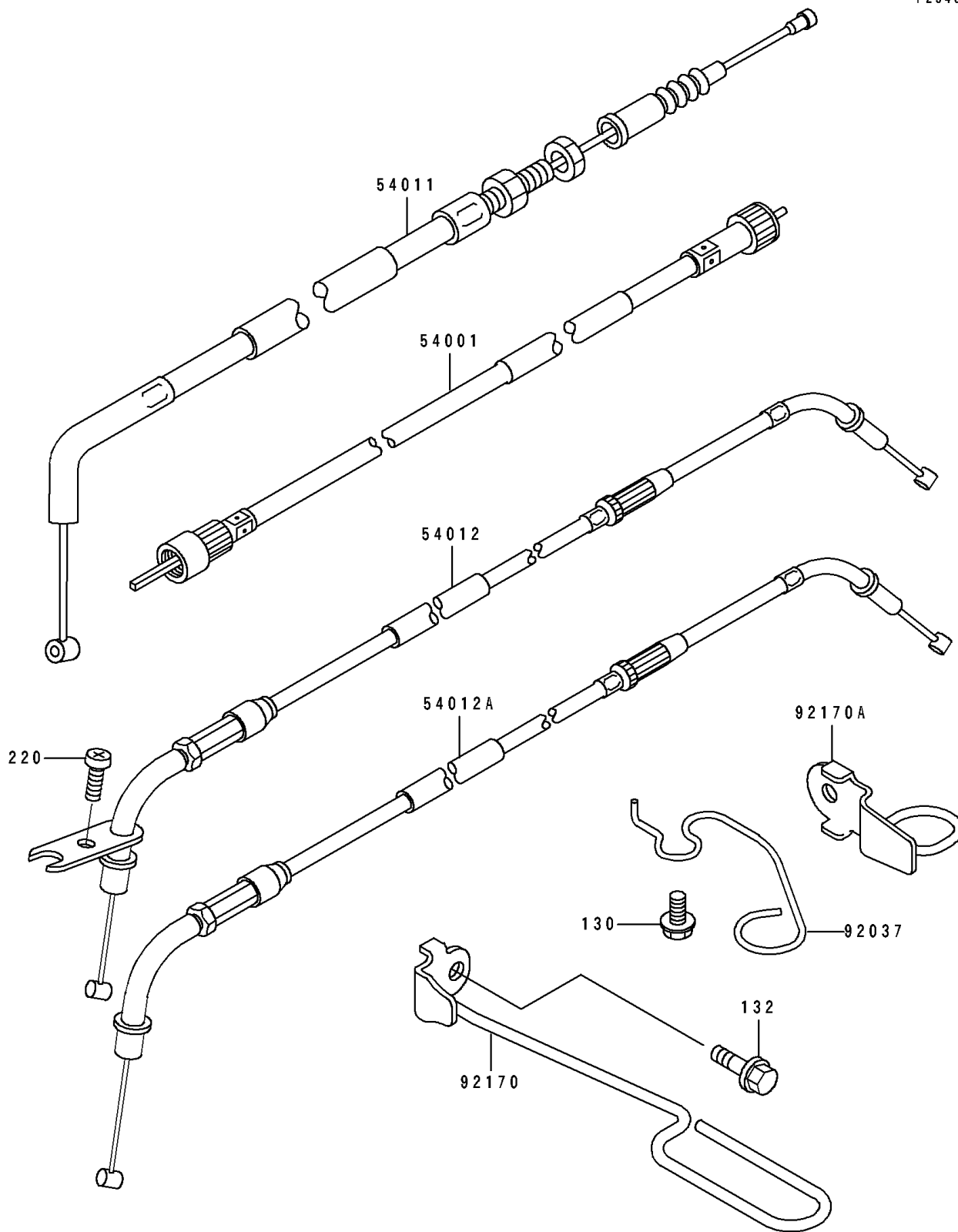


1997 Eliminator 600 PARTS DIAGRAM

Cables

F2540



1997 Eliminator 600 PARTS LIST

Cables

| ITEM NAME | PART NUMBER | QUANTITY |
|---------------------------------------|-------------|----------|
| CABLE-SPEEDOMETER (Ref # 54001) | 54001-1143 | 1 |
| CABLE-CLUTCH (Ref # 54011) | 54011-1335 | 1 |
| CABLE-THROTTLE,OPENING (Ref # 54012) | 54012-1490 | 1 |
| CABLE-THROTTLE,CLOSING (Ref # 54012A) | 54012-1491 | 1 |
| CLAMP,CABLE (Ref # 92037) | 92037-1813 | 1 |
| CLAMP,CABLE (Ref # 92170) | 92170-1459 | 1 |
| CLAMP,CABLE (Ref # 92170A) | 92170-1473 | 1 |
| BOLT-FLANGED,6X12 (Ref # 130) | 130H0612 | 1 |
| BOLT-FLANGED-SMALL (Ref # 132) | 132E0610 | 1 |
| SCREW-PAN-CROS (Ref # 220) | 220C0514 | 1 |