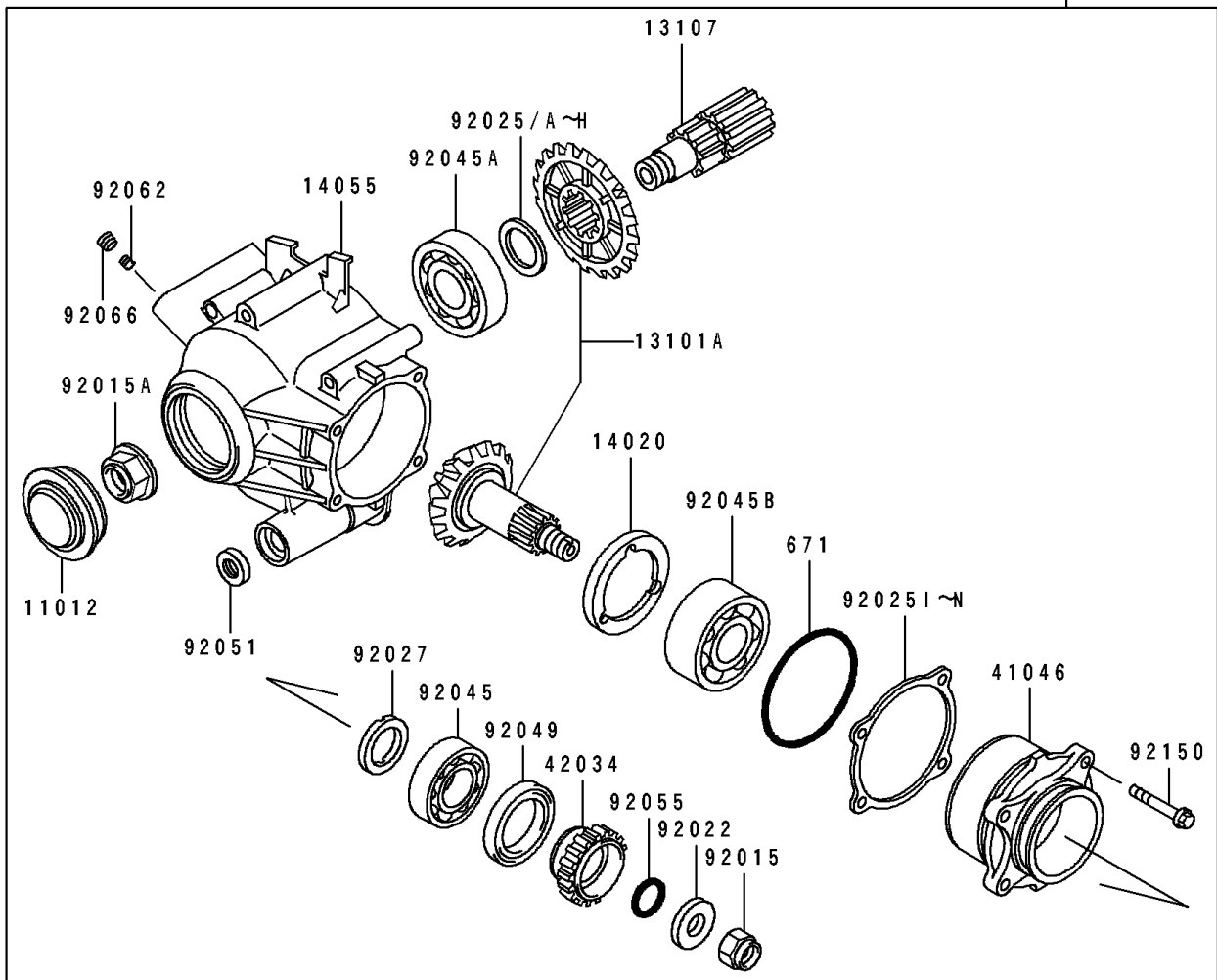
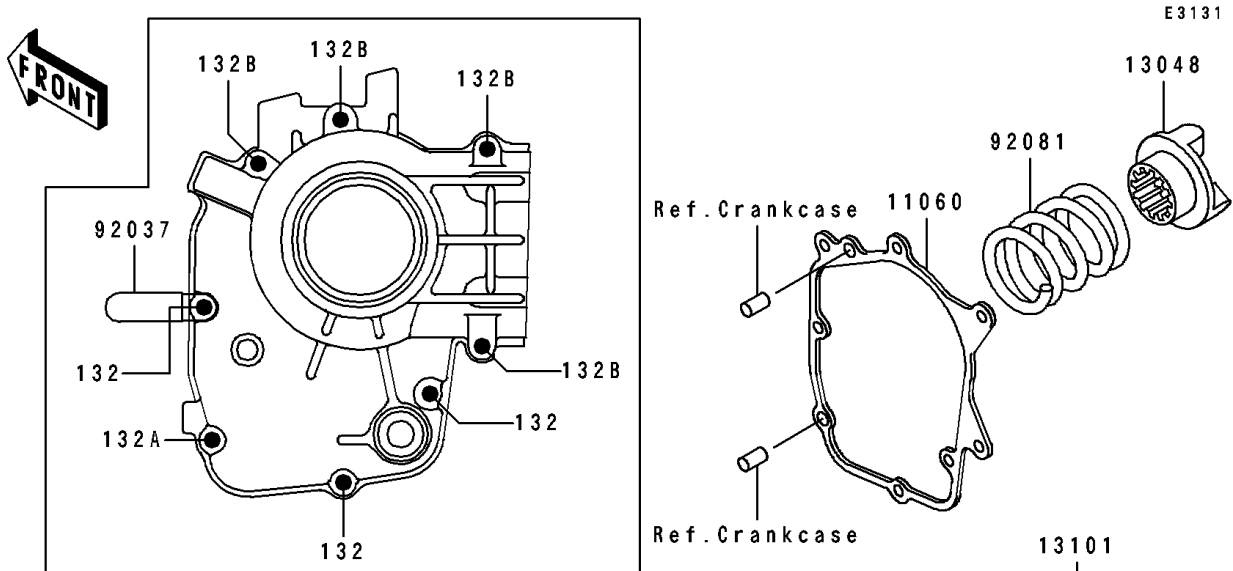


1997 Eliminator 600 PARTS DIAGRAM

Front Bevel Gear



1997 Eliminator 600 PARTS LIST

Front Bevel Gear

ITEM NAME	PART NUMBER	QUANTITY
CAP,FRONT BEVEL (Ref # 11012)	11012-1672	1
GASKET,BEVEL GEAR CASE,FR (Ref # 11060)	11060-1152	1
CAM-DAMPER (Ref # 13048)	13048-1068	1
GEAR-ASSY,FRONT BEVEL (Ref # 13101)	13101-1229	1
GEAR-ASSY,FRONT BEVEL (Ref # 13101A)	13101-5060	1
SHAFT,BEVEL GEAR (Ref # 13107)	13107-1178	1
RETAINER (Ref # 14020)	14020-1065	1
CASE-GEAR,FRONT BEVEL (Ref # 14055)	14055-1118	1
HOUSING-BEARING,FRONT BEVEL (Ref # 41046)	41046-1096	1
COUPLING,FR DRIVEN (Ref # 42034)	42034-1091	1
NUT,LOCK,14MM (Ref # 92015)	92015-1067	1
NUT (Ref # 92015A)	92015-1543	1
WASHER,14.1X31X5 (Ref # 92022)	92022-1115	1
SHIM,25.3X36X0.15 (Ref # 92025)	92025-1688	1
SHIM,25.3X36X0.50 (Ref # 92025A)	92025-1689	1
SHIM,25.3X36X0.60 (Ref # 92025B)	92025-1690	1
SHIM,25.3X36X0.70 (Ref # 92025C)	92025-1691	1
SHIM,25.3X36X0.80 (Ref # 92025D)	92025-1692	1
SHIM,25.3X36X0.90 (Ref # 92025E)	92025-1693	1
SHIM,25.3X36X1.00 (Ref # 92025F)	92025-1694	1
SHIM,25.3X36X1.10 (Ref # 92025G)	92025-1695	1
SHIM,25.3X36X1.20 (Ref # 92025H)	92025-1696	1
SHIM,T=0.10 (Ref # 92025I)	92025-1772	1
SHIM,T=0.15 (Ref # 92025J)	92025-1773	1
SHIM,T=0.70 (Ref # 92025K)	92025-1774	1
SHIM,T=0.80 (Ref # 92025L)	92025-1775	1
SHIM,T=1.00 (Ref # 92025M)	92025-1776	1
SHIM,T=1.20 (Ref # 92025N)	92025-1777	1
COLLAR (Ref # 92027)	92027-1994	1

1997 Eliminator 600 PARTS LIST

Front Bevel Gear

ITEM NAME	PART NUMBER	QUANTITY
CLAMP,WIRING HARNESS (Ref # 92037)	92037-1539	1
BEARING-BALL,6205 (Ref # 92045)	92045-1115	1
BEARING-BALL,TMB305 (Ref # 92045A)	92045-1137	1
BEARING-BALL,5305SH2CD2 (Ref # 92045B)	92045-1147	1
SEAL-OIL,TC35527 (Ref # 92049)	92049-1038	1
SEAL-OIL,TB13225.5 (Ref # 92051)	92051-005	1
RING-O,ID=18.64 (Ref # 92055)	92055-1044	1
NOZZLE,6X8,BLACK (Ref # 92062)	92062-1079	1
PLUG,OIL LINE,1/8X7 (Ref # 92066)	92066-1227	1
SPRING,CAM DAMPER (Ref # 92081)	92081-1981	1
BOLT,6X25 (Ref # 92150)	92150-1777	1
BOLT-FLANGED-SMALL (Ref # 132)	132E0625	1
BOLT-FLANGED-SMALL (Ref # 132A)	132E0640	1
BOLT-FLANGED-SMALL (Ref # 132B)	132E0685	1
O RING,70MM (Ref # 671)	671B2570	1