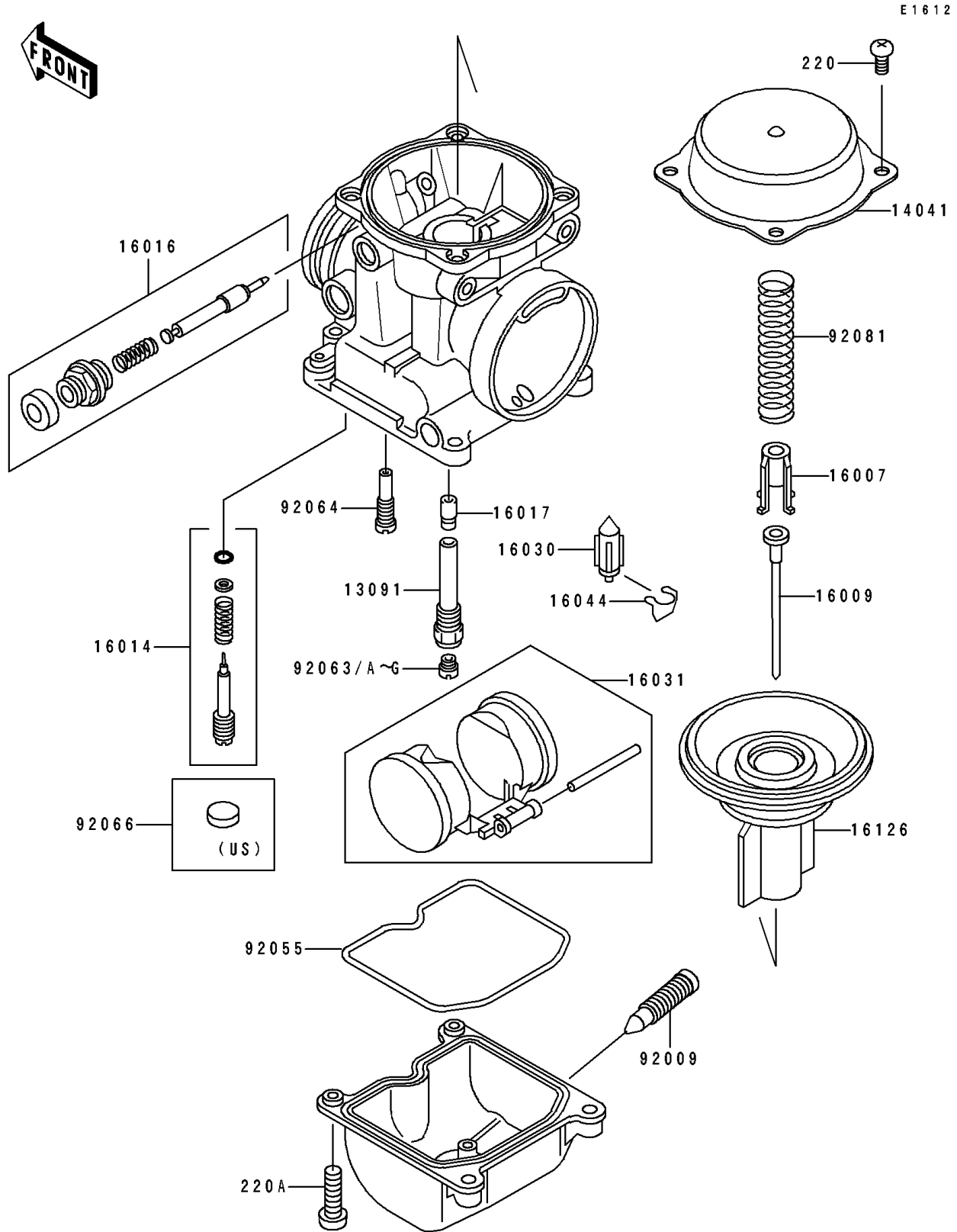


## 1997 Eliminator 600 PARTS DIAGRAM

Carburetor Parts



## 1997 Eliminator 600 PARTS LIST

### Carburetor Parts

ITEM NAME	PART NUMBER	QUANTITY
HOLDER,NEEDLE JET (Ref # 13091)	13091-1406	1
TOP-CHAMBER,MIXING,OUTSIDE (Ref # 14041)	14041-1076	1
SEAT-SPRING,THROTTLE VALVE (Ref # 16007)	16007-1120	1
NEEDLE-JET,N27X (Ref # 16009)	16009-1309	1
SCREW-PILOT AIR (Ref # 16014)	16014-1081	1
PLUNGER (Ref # 16016)	16016-1092	1
JET-NEEDLE (Ref # 16017)	16017-1314	1
VALVE-FLOAT (Ref # 16030)	16030-1007	1
FLOAT (Ref # 16031)	16031-1077	1
CLAMP,FLOAT VALVE (Ref # 16044)	16044-007	1
VALVE,VACUUM (Ref # 16126)	16126-1159	1
SCREW,DRAIN,M6X0.75 (Ref # 92009)	92009-1551	1
RING-O,FLOAT CHAMBER (Ref # 92055)	92055-1222	1
JET-MAIN,#95 (Ref # 92063)	92063-1001	1
JET-MAIN,#90 (Ref # 92063A)	92063-1003	2
JET-MAIN,#92 (Ref # 92063C)	92063-1004	2
JET-MAIN,#98 (Ref # 92063E)	92063-1005	1
JET-MAIN,#85 (Ref # 92063F)	92063-1023	1
JET-MAIN,#88 (Ref # 92063G)	92063-1024	1
JET-PILOT,#35 (Ref # 92064)	92064-1101	1
PLUG,PILOT AIR SCREW,6.9X2 (Ref # 92066)	92066-1051	1
SPRING,VACUUM VALVE (Ref # 92081)	92081-1775	1
SCREW-PAN-CROS (Ref # 220)	220B0408	1
SCREW-PAN-CROS (Ref # 220A)	220D0414	1