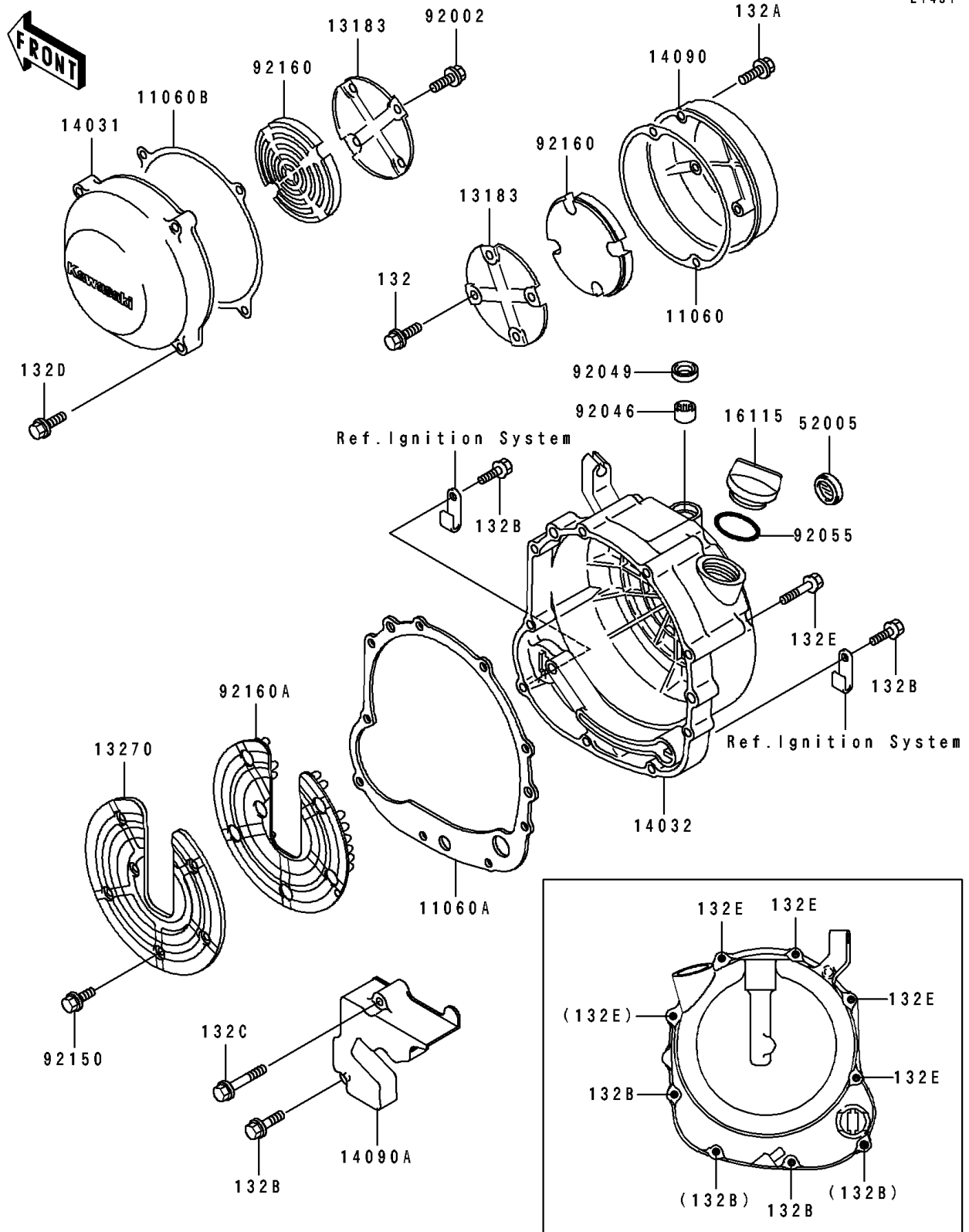


1997 Eliminator 600 PARTS DIAGRAM

Engine Cover(s)

E1431



1997 Eliminator 600 PARTS LIST

Engine Cover(s)

ITEM NAME	PART NUMBER	QUANTITY
GASKET,PULSING COIL COVER (Ref # 11060)	11060-1098	1
GASKET,CLUTCH COVER (Ref # 11060A)	11060-1148	1
GASKET,GENERATOR COVER (Ref # 11060B)	11060-1150	1
PLATE (Ref # 13183)	13183-1789	1
PLATE (Ref # 13270)	13270-1441	1
COVER-GENERATOR (Ref # 14031)	14031-1317	1
COVER-CLUTCH (Ref # 14032)	14032-1414	1
COVER,PULSING COIL (Ref # 14090)	14090-1571	1
COVER,LH (Ref # 14090A)	14090-1577	1
CAP-OIL FILLER (Ref # 16115)	16115-1009	1
GAUGE,OIL LEVEL (Ref # 52005)	52005-1009	1
BOLT,6X10 (Ref # 92002)	92002-1449	1
BEARING-NEEDLE,HK1210 (Ref # 92046)	92046-1010	1
SEAL-OIL,TB12205.5 (Ref # 92049)	92049-1271	1
RING-O,31.5X2.6 (Ref # 92055)	92055-049	1
BOLT,5X8 (Ref # 92150)	92150-1406	1
DAMPER (Ref # 92160)	92160-1332	1
DAMPER (Ref # 92160A)	92160-1610	1
BOLT-FLANGED-SMALL (Ref # 132)	132E0610	1
BOLT-FLANGED-SMALL (Ref # 132A)	132E0625	1
BOLT-FLANGED-SMALL (Ref # 132B)	132E0630	1
BOLT-FLANGED-SMALL (Ref # 132C)	132E0635	1
BOLT-FLANGED-SMALL (Ref # 132D)	132E0640	1
BOLT-FLANGED-SMALL (Ref # 132E)	132E0660	1