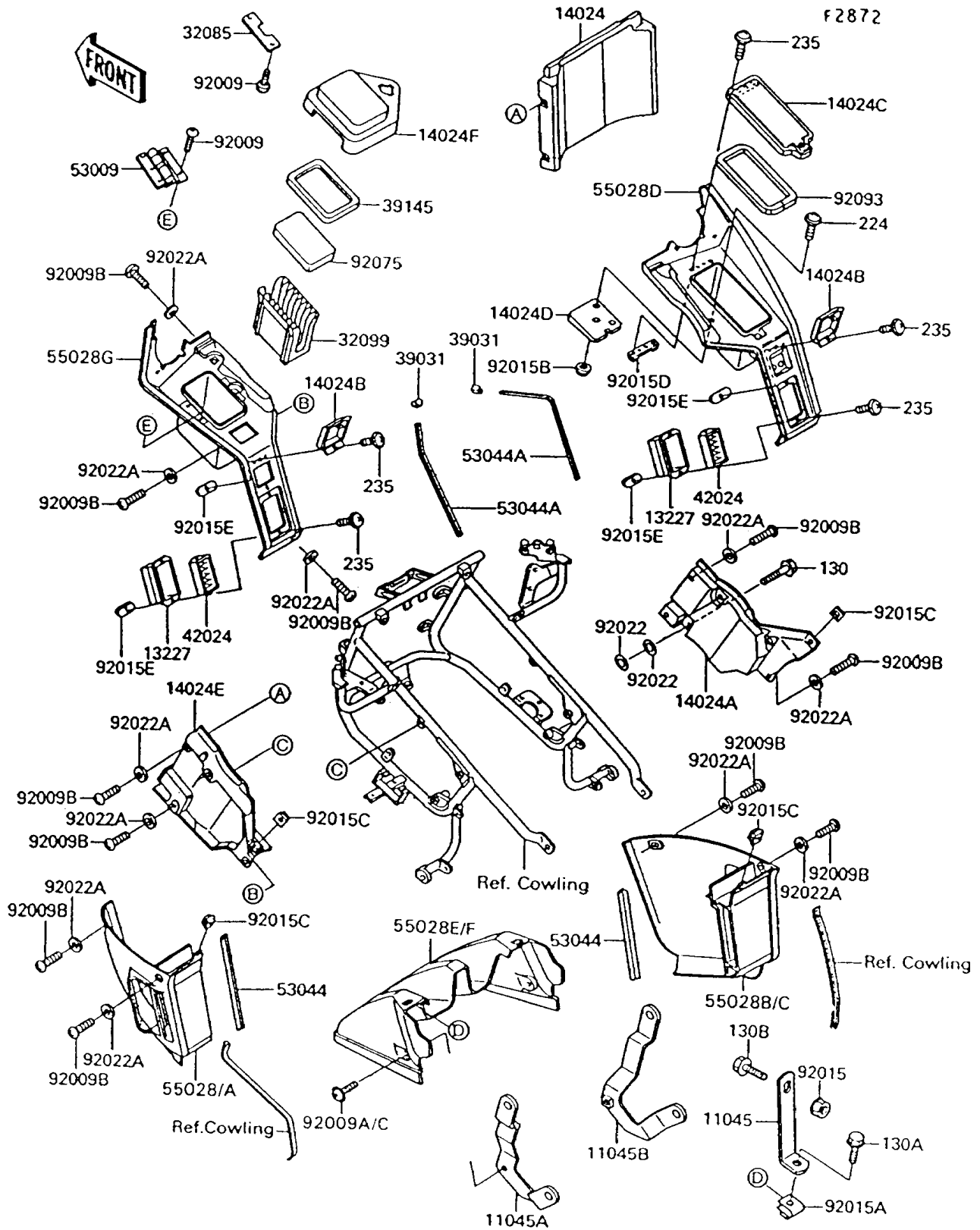


1994 Voyager XII PARTS DIAGRAM

Cowling Lowers



1994 Voyager XII PARTS LIST

Cowling Lowers

ITEM NAME	PART NUMBER	QUANTITY
BRACKET,LOWER COWLING,UPP (Ref # 11045)	11045-1410	2
BRACKET,LOWER COWLING,LH (Ref # 11045A)	11045-1934	1
BRACKET,LOWER COWLING,RH (Ref # 11045B)	11045-1935	1
HOUSING,SHUTTER (Ref # 13227)	13227-1012	2
COVER,COWLING,INNER,FR (Ref # 14024)	14024-1183	1
COVER,COWLING,INNER,RH (Ref # 14024A)	14024-1185	1
COVER,TRANSCEIVER (Ref # 14024B)	14024-1191	2
COVER,FAIRING POCKET,RH (Ref # 14024C)	14024-1200	1
COVER,AMPLIFIER (Ref # 14024D)	14024-1304	1
COVER,COWLING,INNER,LH (Ref # 14024E)	14024-1478	1
COVER,FAIRING POCKET,LH (Ref # 14024F)	14024-1480	1
STOPPER,FAIRING POCKET,LH (Ref # 32085)	32085-1271	1
CASE,CASSETTE (Ref # 32099)	32099-1103	1
CAP-END,TRIM (Ref # 39031)	39031-1058	2
TRIM-SEAL,FAIRING POCKET,LH (Ref # 39145)	39145-1085	1
SHUTTER,LOUVER (Ref # 42024)	42024-1002	2
HINGE,SIDE BAG (Ref # 53009)	53009-1062	1
TRIM,COWLING,LWR (Ref # 53044)	53044-1159	2
TRIM,L=350 (Ref # 53044A)	53044-1161	2
COWLING,LWR,LH,P.T.GREEN (Ref # 55028A)	55028-1106-TZ	1
COWLING,LWR,RH,P.T.GREEN (Ref # 55028C)	55028-1107-TZ	1
COWLING,INNER,RH (Ref # 55028D)	55028-1109	1
COWLING,LWR,P.T.GREEN (Ref # 55028F)	55028-1169-TZ	1
COWLING,INNER,LH (Ref # 55028G)	55028-1170	1
SCREW,TAPPING,4X10 (Ref # 92009)	92009-1040	7
SCREW,5X18 (Ref # 92009B)	92009-1655	21
SCREW,6X18 (Ref # 92009C)	92009-1663	2
NUT,FLANGED,8MM,BLACK (Ref # 92015)	92015-1183	2
NUT,6MM,BLACK (Ref # 92015A)	92015-1217	2

1994 Voyager XII PARTS LIST

Cowling Lowers

ITEM NAME	PART NUMBER	QUANTITY
NUT,FLANGED,5MM (Ref # 92015B)	92015-1259	1
NUT,4MM (Ref # 92015C)	92015-1598	6
NUT,BRACKET,4MM (Ref # 92015D)	92015-1599	1
NUT,5MM (Ref # 92015E)	92015-1710	8
WASHER,5.5X20X1.2 (Ref # 92022)	92022-104	2
WASHER,NYLON,5.3X11.5X1.5 (Ref # 92022A)	92022-1521	21
DAMPER,FAIRING POCKET COVER,LH (Ref # 92075)	92075-1961	1
BOLT-FLANGED,5X30 (Ref # 130)	130B0530	1
BOLT-FLANGED,6X16 (Ref # 130A)	130C0616	2
BOLT-FLANGED (Ref # 130B)	130C0835	2
SCREW-PAN-WP-CROS (Ref # 224)	224B0514	1
SCREW-PAN-WP-CROS (Ref # 235)	235C0412	8
SEAL,FAIRING POCKET (Ref # 92093)	92093-1211	1