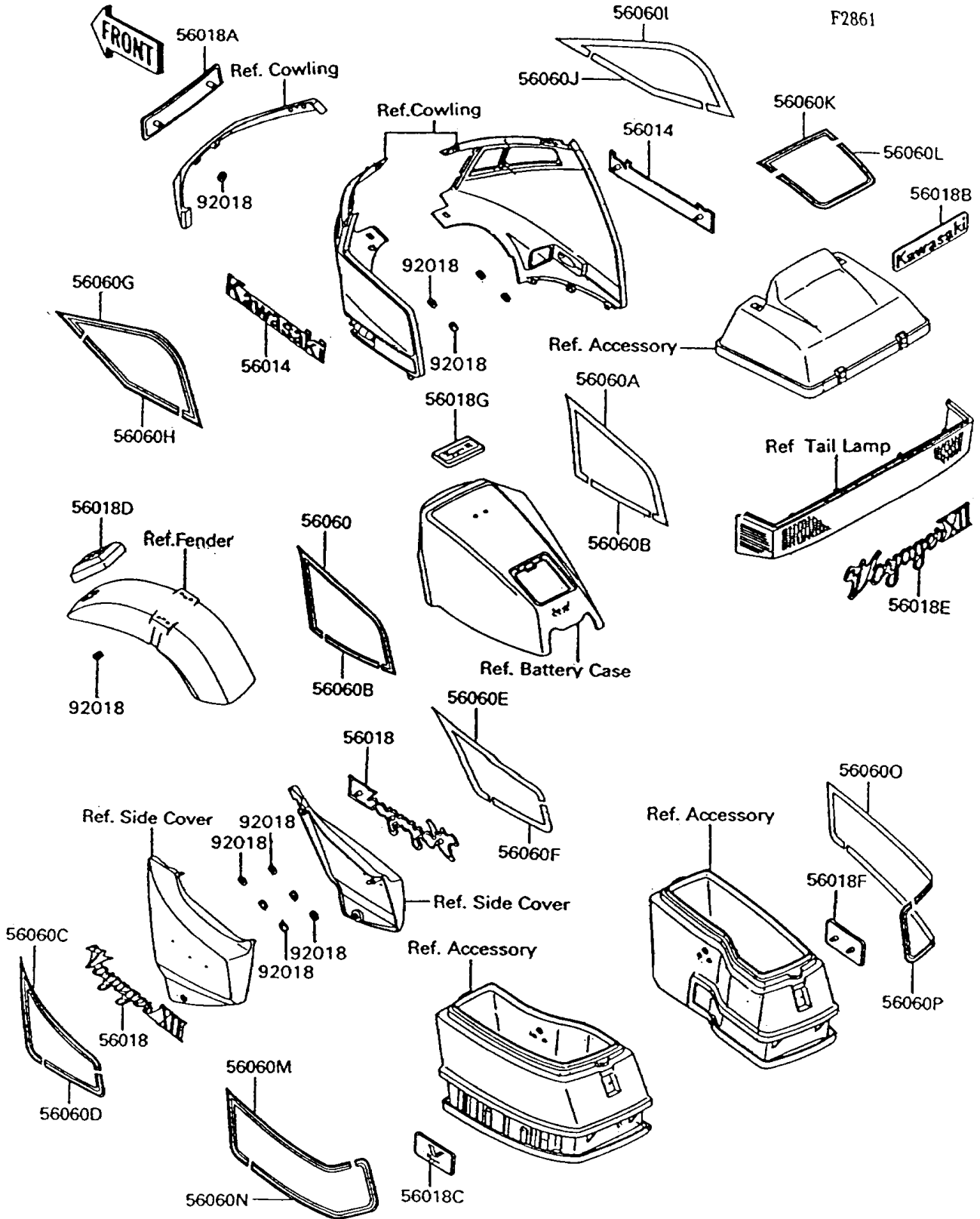


1993 Voyager XII PARTS DIAGRAM

Decals(ZG1200-B6/B7)



1993 Voyager XII PARTS LIST

Decals(ZG1200-B6/B7)

ITEM NAME	PART NUMBER	QUANTITY
EMBLEM,COWLING,KAWASAKI (Ref # 56014)	56014-1133	2
MARK,SIDE COVER (Ref # 56018)	56018-1857	2
MARK,WINDSHIELD COVER,KAWASAKI (Ref # 56018A)	56018-1858	1
MARK,TRUNK COVER,KAWASAKI (Ref # 56018B)	56018-1859	1
MARK,SIDE BAG,LH (Ref # 56018C)	56018-1860	1
MARK,FRONT FENDER (Ref # 56018D)	56018-1861	1
MARK,TAIL LAMP (Ref # 56018E)	56018-1862	1
MARK,SIDE BAG,RH (Ref # 56018F)	56018-1882	1
MARK,CRUISE CONTROL SWITCH (Ref # 56018G)	56018-1982	1
PATTERN,TANK COVER,LH,TOP (Ref # 56060)	56060-1030	1
PATTERN,TANK COVER,RH,TOP (Ref # 56060A)	56060-1031	1
PATTERN,TANK COVER,L&R,BOTTOM (Ref # 56060B)	56060-1032	2
PATTERN,SIDE COVER,LH,TOP (Ref # 56060C)	56060-1033	1
PATTERN,SIDE COVER,LH,BOTTOM (Ref # 56060D)	56060-1034	1
PATTERN,SIDE COVER,RH,TOP (Ref # 56060E)	56060-1035	1
PATTERN,SIDE COVER,RH,BOTTOM (Ref # 56060F)	56060-1036	1
PATTERN,UPP COWLING,LH,TOP (Ref # 56060G)	56060-1037	1
PATTERN,UPP COWLING,LH,BOTTOM (Ref # 56060H)	56060-1038	1
PATTERN,UPP COWLING,RH,TOP (Ref # 56060I)	56060-1039	1
PATTERN,UPP COWLING,RH,BOTTOM (Ref # 56060J)	56060-1040	1
PATTERN,CENTER BAG COVER,FR (Ref # 56060K)	56060-1041	1
PATTERN,CENTER BAG COVER,RR (Ref # 56060L)	56060-1042	1
PATTERN,SIDE BAG BODY,LH,TOP (Ref # 56060M)	56060-1043	1
PATTERN,SIDE BAG BODY,LH,BOTTO (Ref # 56060N)	56060-1044	1
PATTERN,SIDE BAG BODY,RH,TOP (Ref # 56060O)	56060-1045	1
PATTERN,SIDE BAG BODY,BOTTO (Ref # 56060P)	56060-1046	1
NUT,PUSH,3MM (Ref # 92018)	92018-005	14