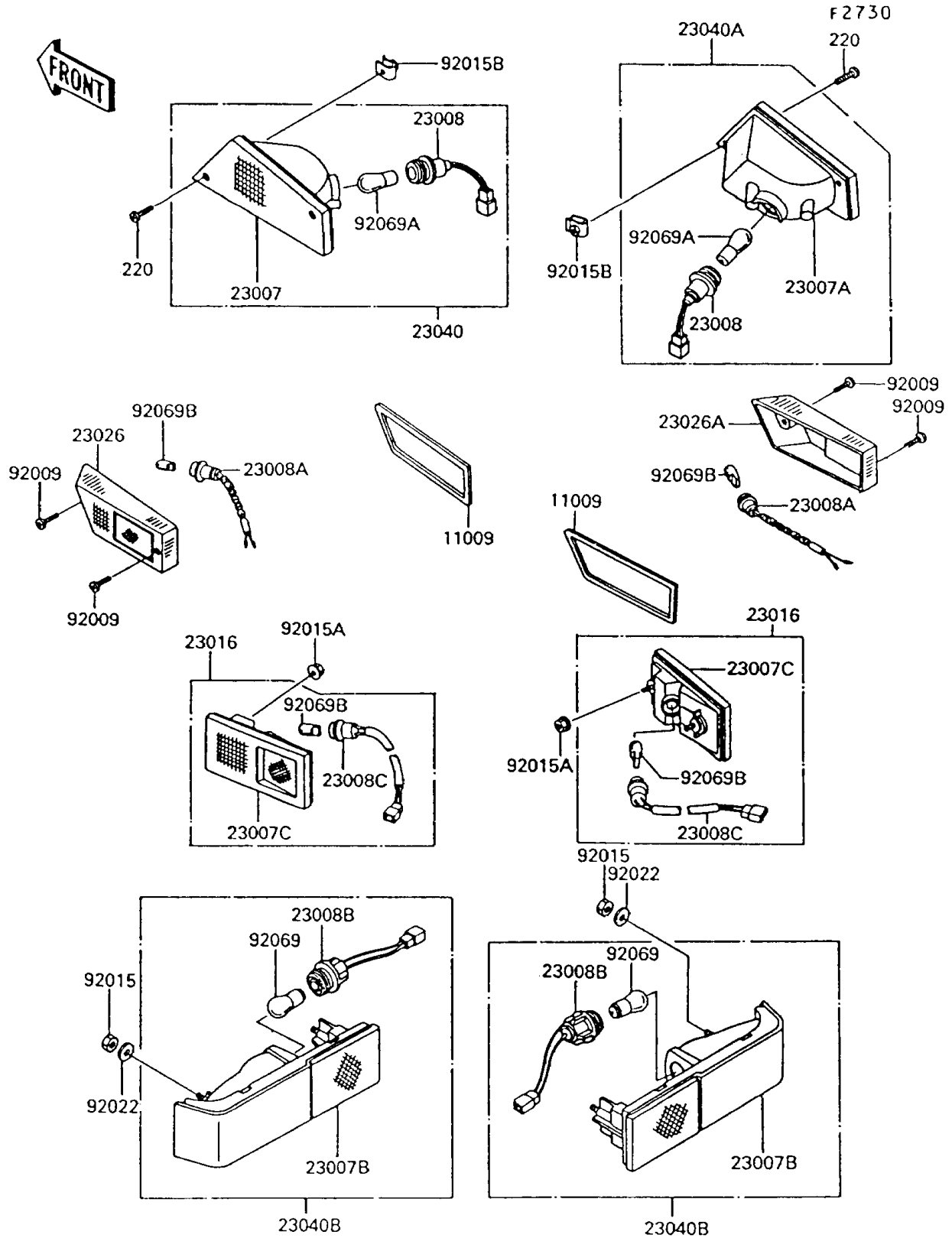


# 1994 Voyager XII PARTS DIAGRAM

Turn Signals



# 1994 Voyager XII PARTS LIST

## Turn Signals

| ITEM NAME                                  | PART NUMBER | QUANTITY |
|--|-------------|----------|
| SCREW-PAN-CROS,4X20 (Ref # 220)            | 220D0420    | 4        |
| GASKET,SIDE MARKER,FR (Ref # 11009)        | 11009-1615  | 2        |
| LENS-COMP,SIGNAL LAMP,FR,LH (Ref # 23007)  | 23007-1146  | 1        |
| LENS-COMP,SIGNAL LAMP,FR,RH (Ref # 23007A) | 23007-1147  | 1        |
| LENS-COMP,SIGNAL LAMP,RR (Ref # 23007B)    | 23007-1148  | 2        |
| LENS-COMP,SIDE MARKER,RR (Ref # 23007C)    | 23007-1149  | 2        |
| SOCKET-ASSY,SIGNAL LAMP,FR (Ref # 23008)   | 23008-1184  | 2        |
| SOCKET-ASSY,SIDE MARKER,FR (Ref # 23008A)  | 23008-1292  | 2        |
| SOCKET-ASSY,SIGNAL LAMP,RR (Ref # 23008B)  | 23008-1301  | 2        |
| SOCKET-ASSY,SIDE MARKER,RR (Ref # 23008C)  | 23008-1302  | 2        |
| LAMP-ASSY,SIDE MARKER,RR (Ref # 23016)     | 23016-1068  | 2        |
| LENS,SIDE MARKER,FR,LH (Ref # 23026)       | 23026-1071  | 1        |
| LENS,SIDE MARKER,FR,RH (Ref # 23026A)      | 23026-1072  | 1        |
| LAMP-SIGNAL,FR,LH (Ref # 23040)            | 23040-1128  | 1        |
| LAMP-SIGNAL,FR,RH (Ref # 23040A)           | 23040-1129  | 1        |
| LAMP-SIGNAL,RR (Ref # 23040B)              | 23040-1130  | 2        |
| SCREW,4X18 (Ref # 92009)                   | 92009-1355  | 4        |
| NUT,FLANGED,6MM (Ref # 92015)              | 92015-1233  | 4        |
| NUT,FLANGED,5MM (Ref # 92015A)             | 92015-1328  | 4        |
| NUT,4MM (Ref # 92015B)                     | 92015-1567  | 4        |
| WASHER,6.5X20X1.6,BLACK (Ref # 92022)      | 92022-1346  | 4        |
| BULB,12V 32CP(23W) (Ref # 92069)           | 92069-055   | 2        |
| BULB,12V 32/3CP(23/8W) (Ref # 92069A)      | 92069-060   | 2        |
| BULB,12V 3CP (Ref # 92069B)                | 92069-1066  | 4        |