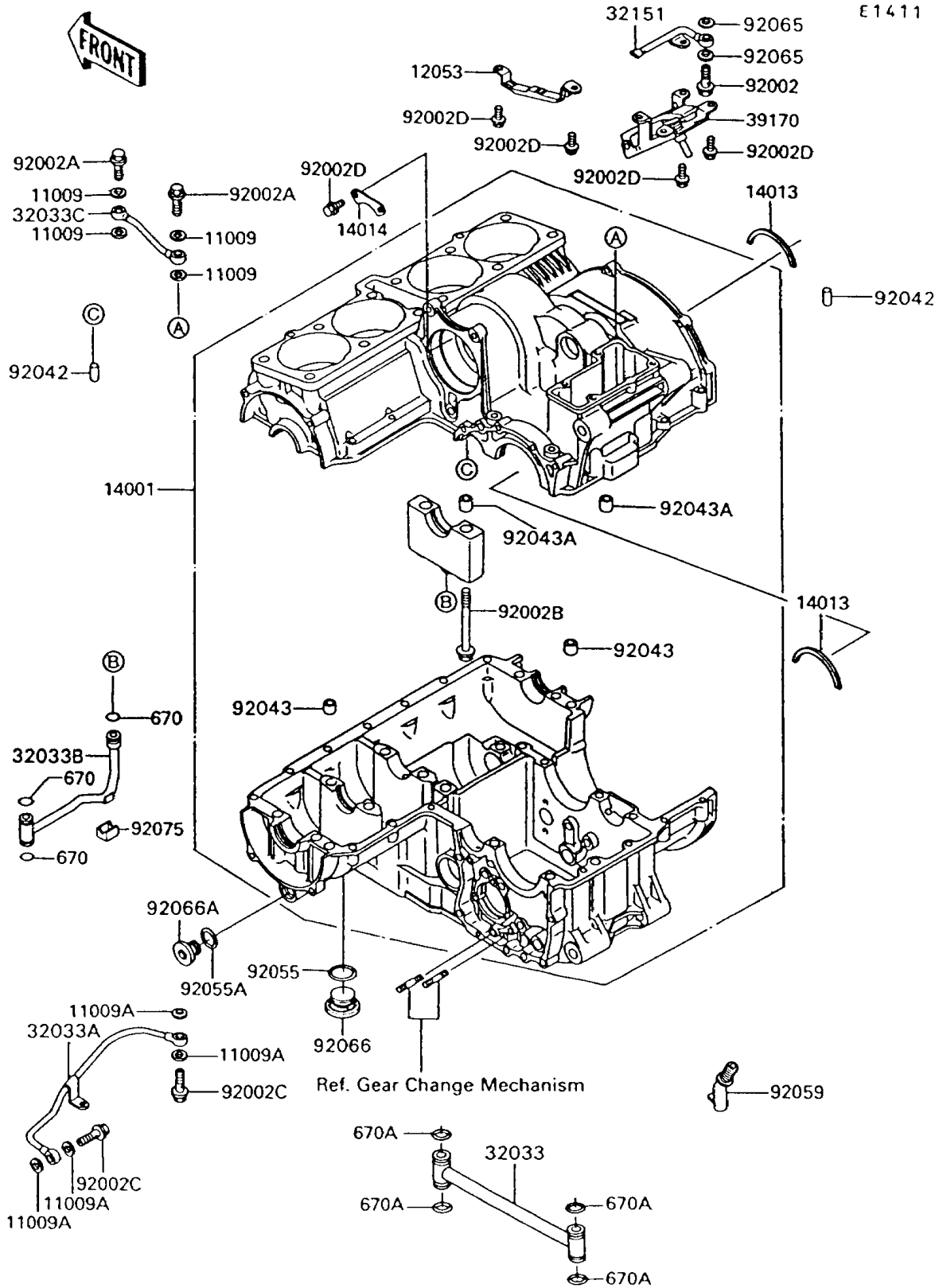


# 1993 Voyager XII PARTS DIAGRAM

## Crankcase



# 1993 Voyager XII PARTS LIST

## Crankcase

ITEM NAME	PART NUMBER	QUANTITY
O RING,9MM (Ref # 670)	670D1509	3
O RING,16MM (Ref # 670A)	670D2016	4
GASKET,OIL PIPE,8.2X14X1.0 (Ref # 11009)	11009-1344	4
GASKET,12.4X17X1.5 (Ref # 11009A)	11009-1376	4
GUIDE-CHAIN,TENSIONER (Ref # 12053)	12053-1209	1
SET-CRANKCASE (Ref # 14001)	14001-5234	1
RING-POSITION,T=1.98 (Ref # 14013)	14013-1054	2
PLATE-POSITION (Ref # 14014)	14014-1075	1
PIPE,MAIN GALLERY (Ref # 32033)	32033-1928	1
PIPE (Ref # 32033A)	32033-1929	1
PIPE (Ref # 32033B)	32033-1930	1
PIPE (Ref # 32033C)	32033-1931	1
PIPE (Ref # 32151)	32151-1229	1
TENSIONER-COMP (Ref # 39170)	39170-1064	1
BOLT,BANJO,6X19 (Ref # 92002)	92002-1473	1
BOLT,BANJO,8X20 (Ref # 92002A)	92002-1618	2
BOLT,10X95 (Ref # 92002B)	92002-1651	2
BOLT,BANJO,12X27 (Ref # 92002C)	92002-1655	2
BOLT,6X14 (Ref # 92002D)	92002-1656	8
PIN,DOWEL,6X16 (Ref # 92042)	92042-016	2
PIN,DOWEL,10X14 (Ref # 92043)	92043-1037	2
PIN,11.5X14X14 (Ref # 92043A)	92043-1279	3
RING-O,25.7X2.4 (Ref # 92055)	92055-1136	1
RING-O (Ref # 92055A)	92055-1146	1
TUBE,BREATHER (Ref # 92059)	92059-1652	1
GASKET (Ref # 92065)	92065-096	2
PLUG,OIL RETURN (Ref # 92066)	92066-1232	1
PLUG (Ref # 92066A)	92066-1394	1
DAMPER,PIPE (Ref # 92075)	92075-1785	1