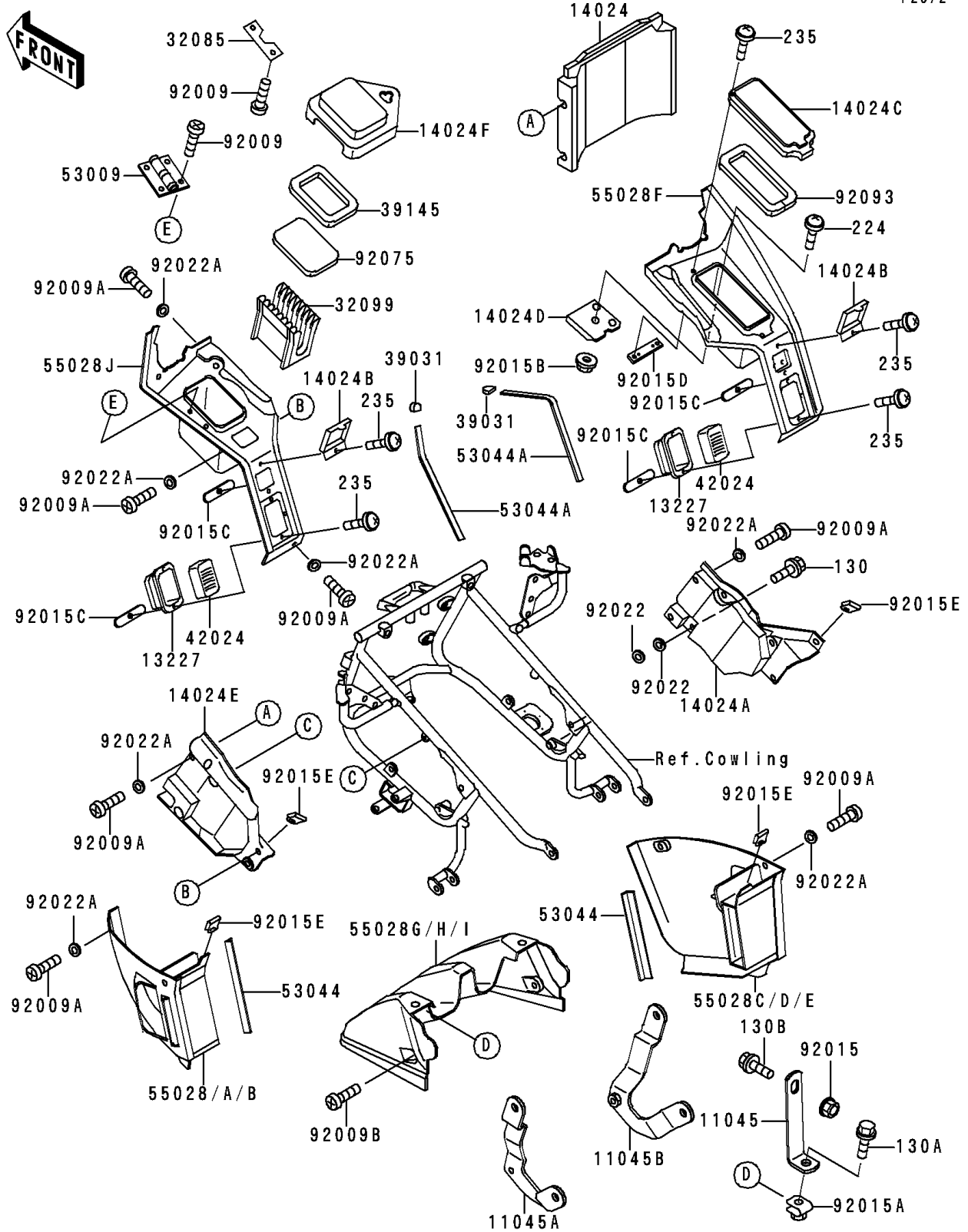


# 1997 Voyager XII PARTS DIAGRAM

## Cowling Lower

F2872



# 1997 Voyager XII PARTS LIST

## Cowling Lowers

| ITEM NAME                                 | PART NUMBER   | QUANTITY |
|---|---------------|----------|
| BRACKET,LOWER COWLING,UPP (Ref # 11045)   | 11045-1410    | 2        |
| BRACKET,LOWER COWLING,LH (Ref # 11045A)   | 11045-1934    | 1        |
| BRACKET,LOWER COWLING,RH (Ref # 11045B)   | 11045-1935    | 1        |
| HOUSING,SHUTTER (Ref # 13227)             | 13227-1012    | 2        |
| COVER,COWLING,INNER,FR (Ref # 14024)      | 14024-1183    | 1        |
| COVER,COWLING,INNER,RH (Ref # 14024A)     | 14024-1185    | 1        |
| COVER,TRANSCEIVER (Ref # 14024B)          | 14024-1191    | 2        |
| COVER,FAIRING POCKET,RH (Ref # 14024C)    | 14024-1200    | 1        |
| COVER,AMPLIFIER (Ref # 14024D)            | 14024-1304    | 1        |
| COVER,COWLING,INNER,LH (Ref # 14024E)     | 14024-1478    | 1        |
| COVER,FAIRING POCKET,LH (Ref # 14024F)    | 14024-1480    | 1        |
| STOPPER,FAIRING POCKET,LH (Ref # 32085)   | 32085-1271    | 1        |
| CASE,CASSETTE (Ref # 32099)               | 32099-1103    | 1        |
| CAP-END,TRIM (Ref # 39031)                | 39031-1058    | 2        |
| TRIM-SEAL,FAIRING POCKET,LH (Ref # 39145) | 39145-1085    | 1        |
| SHUTTER,LOUVER (Ref # 42024)              | 42024-1002    | 2        |
| HINGE,SIDE BAG (Ref # 53009)              | 53009-1062    | 1        |
| TRIM,COWLING,LWR (Ref # 53044)            | 53044-1159    | 2        |
| TRIM,L=350 (Ref # 53044A)                 | 53044-1161    | 2        |
| COWLING,LWR,LH,C,C,RED (Ref # 55028)      | 55028-1106-HR | 1        |
| COWLING,LWR,RH,C,C,RED (Ref # 55028C)     | 55028-1107-HR | 1        |
| COWLING,INNER,RH (Ref # 55028F)           | 55028-1109    | 1        |
| COWLING,LWR,C,C,RED (Ref # 55028G)        | 55028-1169-HR | 1        |
| COWLING,INNER,LH (Ref # 55028J)           | 55028-1170    | 1        |
| SCREW,TAPPING,4X10 (Ref # 92009)          | 92009-1040    | 7        |
| SCREW,5X18 (Ref # 92009A)                 | 92009-1655    | 21       |
| SCREW,6X18 (Ref # 92009B)                 | 92009-1663    | 2        |
| NUT,FLANGED,8MM,BLACK (Ref # 92015)       | 92015-1183    | 2        |
| NUT,6MM,BLACK (Ref # 92015A)              | 92015-1217    | 2        |

# 1997 Voyager XII PARTS LIST

## Cowling Lowers

| ITEM NAME                                    | PART NUMBER | QUANTITY |
|--|-------------|----------|
| NUT,FLANGED,5MM (Ref # 92015B)               | 92015-1259  | 1        |
| NUT,4MM (Ref # 92015C)                       | 92015-1598  | 6        |
| NUT,BRACKET,4MM (Ref # 92015D)               | 92015-1599  | 1        |
| NUT,5MM (Ref # 92015E)                       | 92015-1710  | 8        |
| WASHER,5.5X20X1.2 (Ref # 92022)              | 92022-104   | 2        |
| BOLT-FLANGED,5X30 (Ref # 130)                | 130B0530    | 1        |
| BOLT-FLANGED,6X16 (Ref # 130A)               | 130C0616    | 2        |
| BOLT-FLANGED (Ref # 130B)                    | 130C0835    | 2        |
| SCREW-PAN-WP-CROS (Ref # 224)                | 224B0514    | 1        |
| SCREW-PAN-WP-CROS (Ref # 235)                | 235C0412    | 8        |
| WASHER,NYLON,5.3X11.5X1.5 (Ref # 92022A)     | 92022-1521  | 21       |
| DAMPER,FAIRING POCKET COVER,LH (Ref # 92075) | 92075-1961  | 1        |
| SEAL,FAIRING POCKET (Ref # 92093)            | 92093-1211  | 1        |