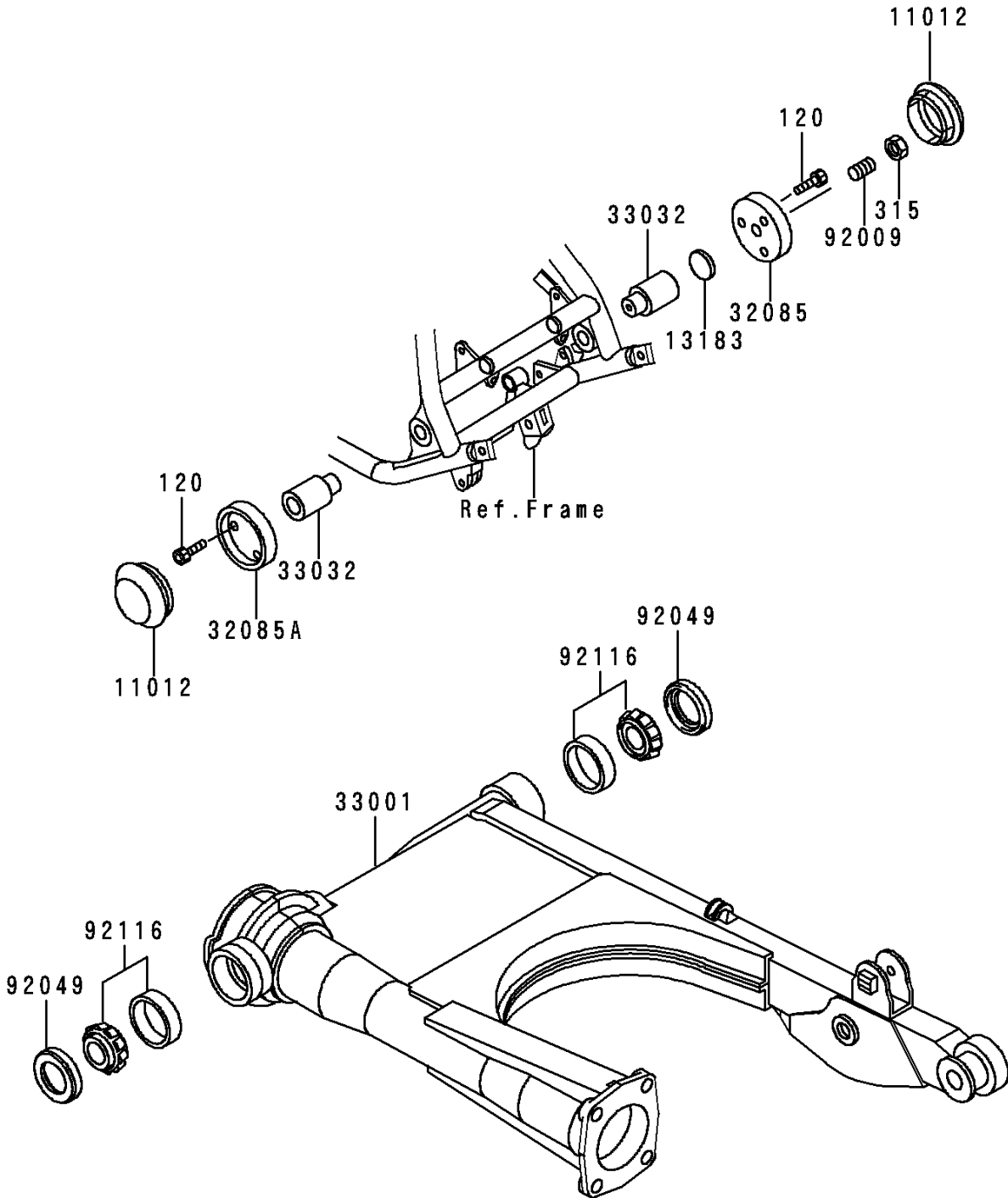


1997 Voyager XII PARTS DIAGRAM

Swingarm

F2141



1997 Voyager XII PARTS LIST

Swingarm

| ITEM NAME | PART NUMBER | QUANTITY |
|---|-------------|----------|
| BOLT-SOCKET (Ref # 120) | 120S0612 | 6 |
| NUT-HEX-FINE (Ref # 315) | 315C1200 | 1 |
| CAP,SWING ARM (Ref # 11012) | 11012-1433 | 2 |
| PLATE,25X4.5 (Ref # 13183) | 13183-1004 | 1 |
| STOPPER,SWING ARM SHAFT,RH (Ref # 32085) | 32085-1227 | 1 |
| STOPPER,SWING ARM SHAFT,LH (Ref # 32085A) | 32085-1228 | 1 |
| ARM-COMP-SWING (Ref # 33001) | 33001-1304 | 1 |
| SHAFT-SWING ARM (Ref # 33032) | 33032-1120 | 2 |
| SCREW,SOCKET,12X22 (Ref # 92009) | 92009-1374 | 1 |
| SEAL-OIL,26406 (Ref # 92049) | 92049-1030 | 2 |
| BEARING-ROLLER,4T30203E1 (Ref # 92116) | 92116-1001 | 2 |