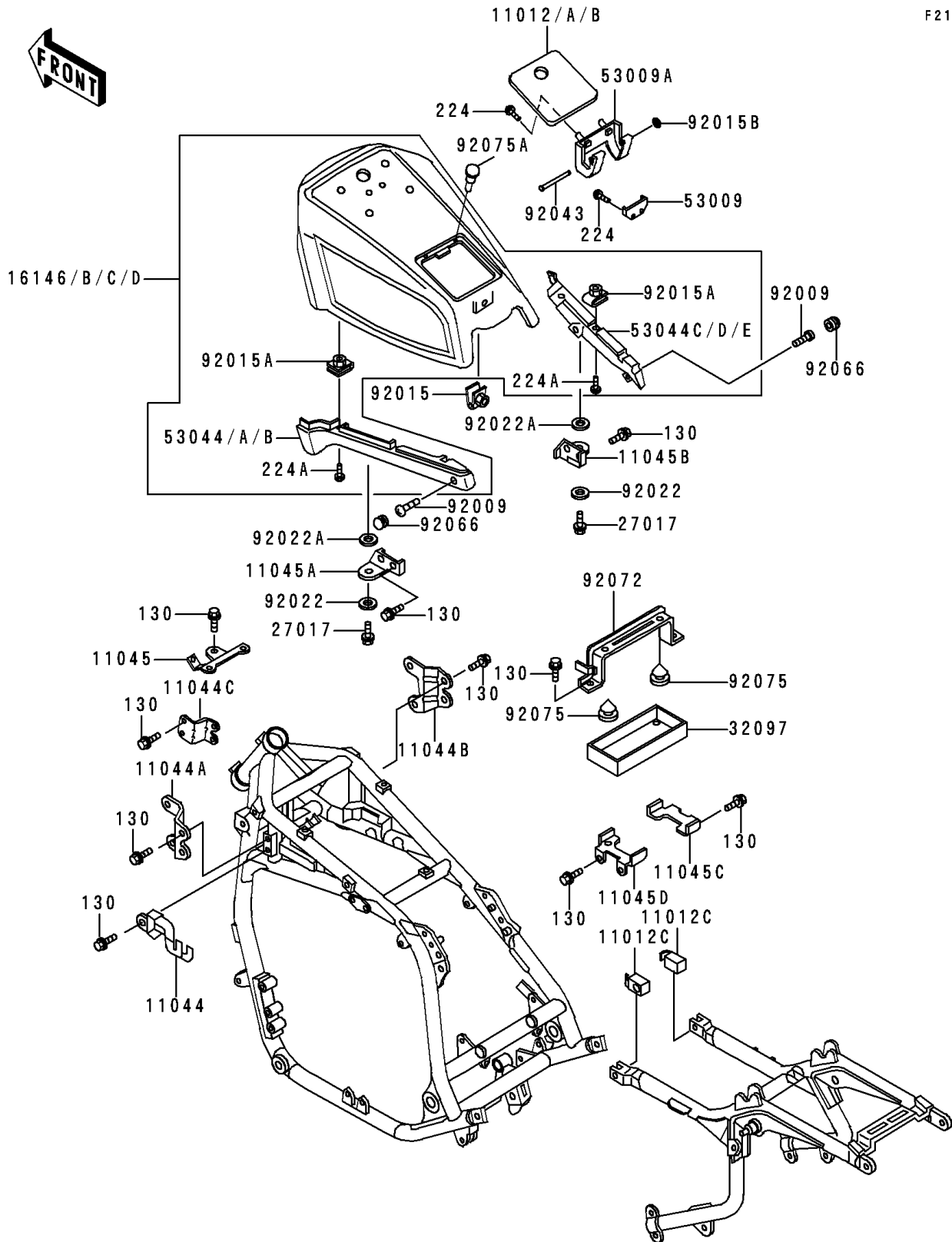


1996 Voyager XII PARTS DIAGRAM

Battery Case

F2132



1996 Voyager XII PARTS LIST

Battery Case

| ITEM NAME | PART NUMBER | QUANTITY |
|---|---------------|----------|
| BOLT-FLANGED,6X10 (Ref # 130) | 130B0610 | 17 |
| CAP,DUMMY TANK,C,C,RED (Ref # 11012) | 11012-1492-HR | 1 |
| CAP (Ref # 11012C) | 11012-1542 | 2 |
| BRACKET,RELAY (Ref # 11044) | 11044-1683 | 1 |
| BRACKET,IGNITION COIL,LH (Ref # 11044A) | 11044-1684 | 1 |
| BRACKET,IGNITION COIL,RH (Ref # 11044B) | 11044-1685 | 1 |
| BRACKET,THERMOSTAT (Ref # 11044C) | 11044-1686 | 1 |
| BRACKET,FUSE (Ref # 11045) | 11045-1056 | 1 |
| BRACKET,DUMMY TANK,LH (Ref # 11045A) | 11045-1077 | 1 |
| BRACKET,DUMMY TANK,RH (Ref # 11045B) | 11045-1078 | 1 |
| BRACKET,BATTERY,RH (Ref # 11045C) | 11045-1297 | 1 |
| BRACKET,BATTERY,LH (Ref # 11045D) | 11045-1729 | 1 |
| COVER-ASSY,DUMMY TANK,RED/RED (Ref # 16146) | 16146-1082-27 | 1 |
| LOCK,DUMMY TANK (Ref # 27017) | 27017-1124 | 2 |
| CASE-BATTERY (Ref # 32097) | 32097-1126 | 1 |
| HINGE,DUMMY TANK (Ref # 53009) | 53009-1060 | 1 |
| HINGE,DUMMY TANK CAP (Ref # 53009A) | 53009-1066 | 1 |
| TRIM,DUMMY TANK,LH,C,C,RED (Ref # 53044) | 53044-1138-HR | 1 |
| TRIM,DUMMY TANK,RH,C,C,RED (Ref # 53044C) | 53044-1139-HR | 1 |
| SCREW (Ref # 92009) | 92009-1258 | 2 |
| NUT,5MM (Ref # 92015) | 92015-1569 | 2 |
| NUT,5MM (Ref # 92015A) | 92015-1573 | 6 |
| NUT,PUSH,2.6MM (Ref # 92015B) | 92015-1576 | 1 |
| WASHER,WAVE,8MM (Ref # 92022) | 92022-1776 | 2 |
| WASHER,6.5MM (Ref # 92022A) | 92022-1808 | 2 |
| PIN,2.6X88 (Ref # 92043) | 92043-1306 | 1 |
| PLUG (Ref # 92066) | 92066-1243 | 2 |
| BAND,BATTERY (Ref # 92072) | 92072-1194 | 1 |
| DAMPER,RUBBER (Ref # 92075) | 92075-078 | 2 |

1996 Voyager XII PARTS LIST

Battery Case

| ITEM NAME | PART NUMBER | QUANTITY |
|--------------------------------|--------------------|-----------------|
| DAMPER (Ref # 92075A) | 92075-1808 | 2 |
| SCREW-PAN-WP-CROS (Ref # 224) | 224B0512 | 4 |
| SCREW-PAN-WP-CROS (Ref # 224A) | 224B0516 | 6 |