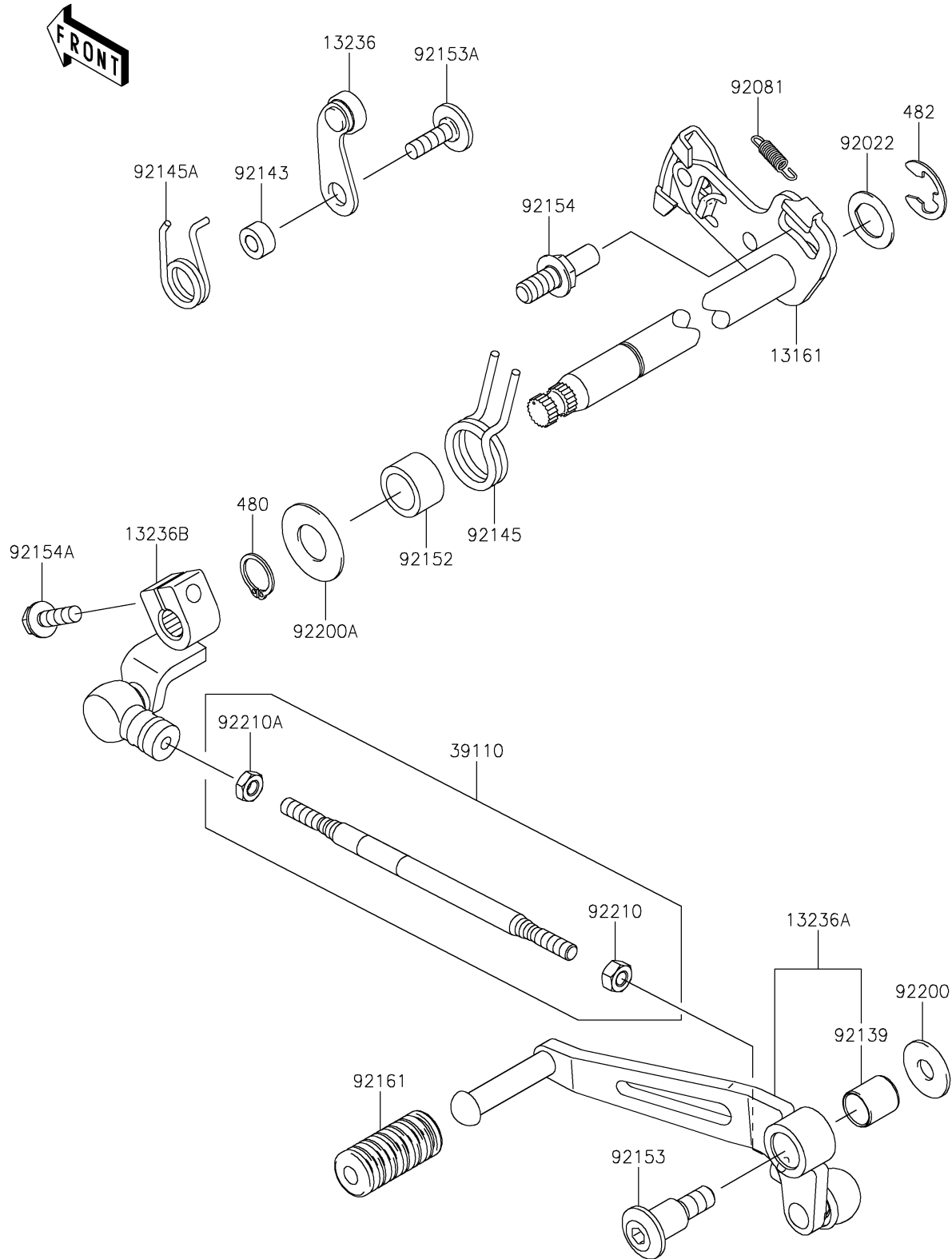


2024 Z900 ABS PARTS DIAGRAM

Gear Change Mechanism

E1370



2024 Z900 ABS PARTS LIST

Gear Change Mechanism

| ITEM NAME | PART NUMBER | QUANTITY |
|--|-------------|----------|
| LEVER-COMP-CHANGE SHAFT (Ref # 13161) | 13161-0592 | 1 |
| LEVER-COMP (Ref # 13236) | 13236-0068 | 1 |
| LEVER-COMP,CHANGE PEDAL (Ref # 13236A) | 13236-0783 | 1 |
| LEVER-COMP,ENGINE SIDE (Ref # 13236B) | 13236-0784 | 1 |
| ROD-ASSY-TIE (Ref # 39110) | 39110-0033 | 1 |
| WASHER,CHANGE SHAFT (Ref # 92022) | 92022-1628 | 1 |
| SPRING,PAWL RETURN (Ref # 92081) | 92081-1708 | 1 |
| BUSHING (Ref # 92139) | 92139-0023 | 1 |
| COLLAR (Ref # 92143) | 92143-1595 | 1 |
| SPRING (Ref # 92145) | 92145-1122 | 1 |
| SPRING,GEAR POSITION (Ref # 92145A) | 92145-1872 | 1 |
| COLLAR,14.2X19.9X12.0 (Ref # 92152) | 92152-1383 | 1 |
| BOLT,SOCKET,8X16.7 (Ref # 92153) | 92153-0446 | 1 |
| BOLT,6X20 (Ref # 92153A) | 92153-1505 | 1 |
| BOLT,RETURN SPRING (Ref # 92154) | 92154-1838 | 1 |
| BOLT,FLANGED,6X20 (Ref # 92154A) | 92154-2090 | 1 |
| DAMPER,CHANGE PEDAL (Ref # 92161) | 92161-2389 | 1 |
| WASHER,8.0X22.0X1.5 (Ref # 92200) | 92200-0174 | 1 |
| WASHER (Ref # 92200A) | 92200-0265 | 1 |
| NUT,6MM (Ref # 92210) | 92210-1100 | 1 |
| NUT,LEFT HANDED,6MM (Ref # 92210A) | 92210-1101 | 1 |
| CIRCLIP-TYPE-C,14MM (Ref # 480) | 480J1400 | 1 |
| CIRCLIP-TYPE-E,12MM (Ref # 482) | 482J0200 | 1 |