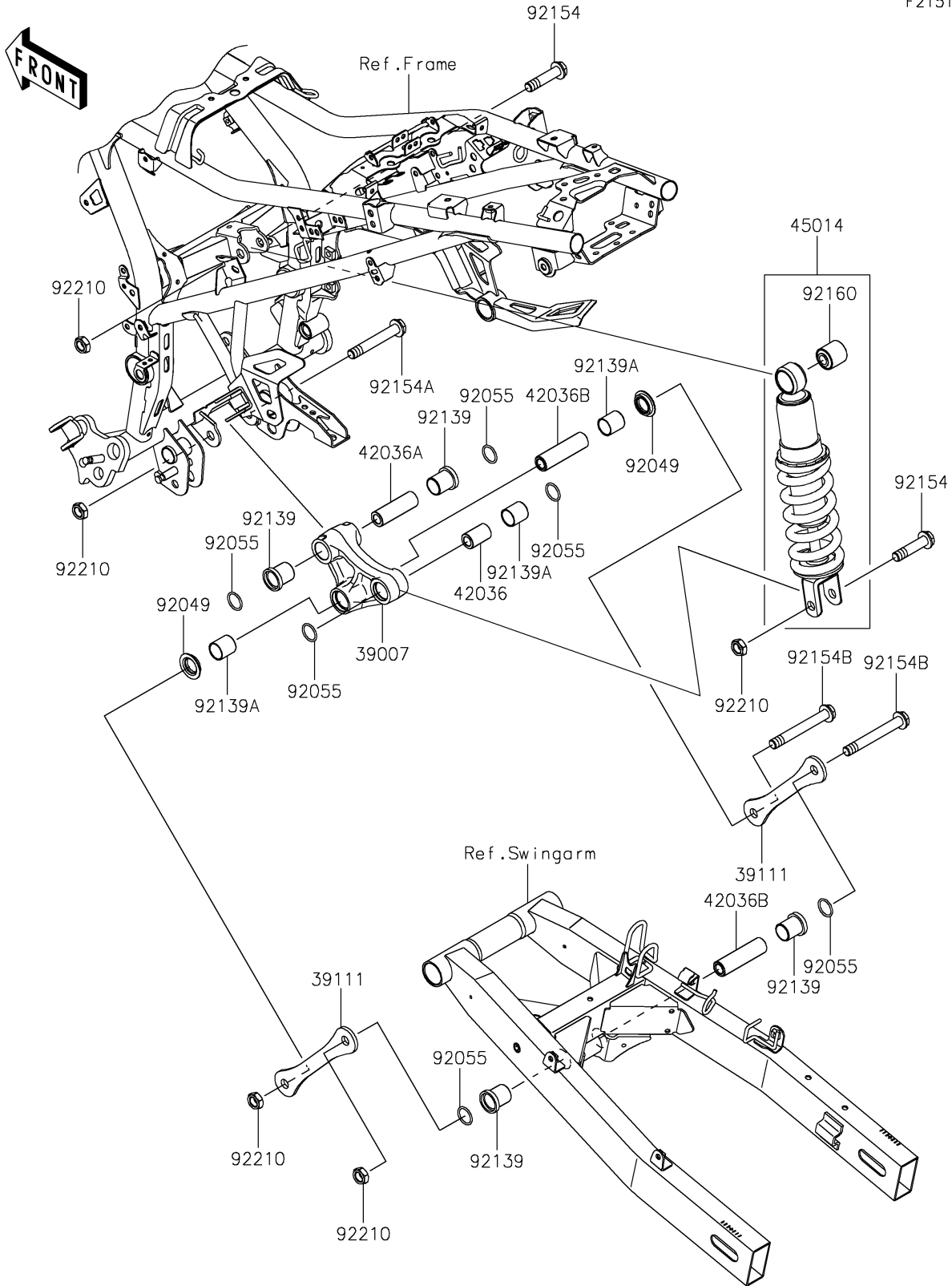


2023 Versys-X 300 PARTS DIAGRAM

Suspension/Shock Absorber

F2151



2023 Versys-X 300 PARTS LIST

Suspension/Shock Absorber

ITEM NAME	PART NUMBER	QUANTITY
ARM-SUSP (Ref # 39007)	39007-0407	1
ROD-TIE,SUSPENSION (Ref # 39111)	39111-0349	2
SLEEVE,12.1X20X32 (Ref # 42036)	42036-1077	1
SLEEVE,ARM,FR (Ref # 42036A)	42036-1078	1
SLEEVE,12.1X20X74 (Ref # 42036B)	42036-1102	2
SHOCKABSORBER,BLACK+BLK (Ref # 45014)	45014-0580-37S	1
SEAL-OIL,ARM (Ref # 92049)	92049-1109	2
RING-O,19.8X2.2 (Ref # 92055)	92055-0732	6
BUSHING,20X23X29 (Ref # 92139)	92139-0890	4
BUSHING,20X23X24 (Ref # 92139A)	92139-0940	3
BOLT,FLANGED,12X51 (Ref # 92154)	92154-2510	2
BOLT,FLANGED,12X79 (Ref # 92154A)	92154-2511	1
BOLT,FLANGED,12X93 (Ref # 92154B)	92154-2512	2
DAMPER,SHOCKABSORBER (Ref # 92160)	92160-1161	1
NUT,LOCK,12MM (Ref # 92210)	92210-1247	5