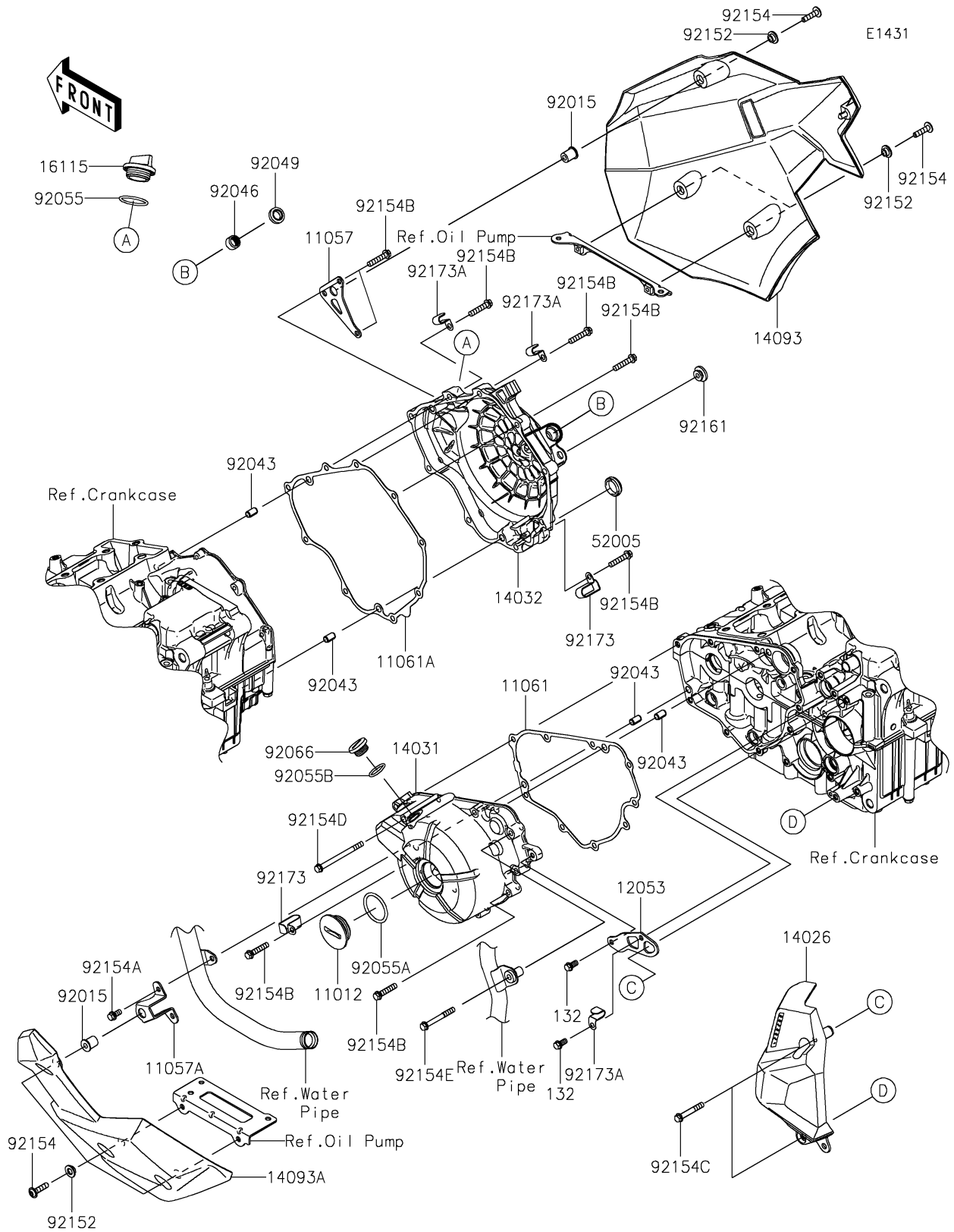


# 2023 Versys-X 300 PARTS DIAGRAM

Engine Cover(s)



## 2023 Versys-X 300 PARTS LIST

### Engine Cover(s)

| ITEM NAME                               | PART NUMBER | QUANTITY |
|-----------------------------------------|-------------|----------|
| CAP (Ref # 11012)                       | 11012-1362  | 1        |
| BRACKET,RIGHT LOWER COVER (Ref # 11057) | 11057-0623  | 1        |
| BRACKET,LEFT LOWER COVER (Ref # 11057A) | 11057-0674  | 1        |
| GASKET,GENERATOR COVER (Ref # 11061)    | 11061-0793  | 1        |
| GASKET,CLUTCH COVER (Ref # 11061A)      | 11061-0854  | 1        |
| GUIDE-CHAIN (Ref # 12053)               | 12053-0237  | 1        |
| COVER-CHAIN (Ref # 14026)               | 14026-0133  | 1        |
| COVER-GENERATOR (Ref # 14031)           | 14031-0562  | 1        |
| COVER-CLUTCH (Ref # 14032)              | 14032-0633  | 1        |
| COVER,LWR,RH (Ref # 14093)              | 14093-0548  | 1        |
| COVER,LWR,LH (Ref # 14093A)             | 14093-0549  | 1        |
| CAP-OIL FILLER (Ref # 16115)            | 16115-1068  | 1        |
| GAUGE,OIL LEVEL (Ref # 52005)           | 52005-1009  | 1        |
| NUT (Ref # 92015)                       | 92015-1700  | 2        |
| PIN,6.2X8X14 (Ref # 92043)              | 92043-1263  | 4        |
| BEARING-NEEDLE,HK1210FM (Ref # 92046)   | 92046-0034  | 1        |
| SEAL-OIL (Ref # 92049)                  | 92049-1560  | 1        |
| RING-O,31.5X2.6 (Ref # 92055)           | 92055-049   | 1        |
| RING-O,39.4X3.1 (Ref # 92055A)          | 92055-0734  | 1        |
| RING-O,20X2 (Ref # 92055B)              | 92055-1146  | 1        |
| PLUG (Ref # 92066)                      | 92066-0748  | 1        |
| COLLAR (Ref # 92152)                    | 92152-2296  | 6        |
| BOLT,SOCKET,6X25 (Ref # 92154)          | 92154-0071  | 6        |
| BOLT,FLANGED,6X12 (Ref # 92154A)        | 92154-1140  | 2        |
| BOLT,FLANGED,6X30 (Ref # 92154B)        | 92154-1773  | 16       |
| BOLT,FLANGED,6X40 (Ref # 92154C)        | 92154-1774  | 2        |
| BOLT,FLANGED,6X75 (Ref # 92154D)        | 92154-2346  | 1        |
| BOLT,FLANGED,6X50 (Ref # 92154E)        | 92154-2347  | 1        |
| DAMPER (Ref # 92161)                    | 92161-1810  | 1        |

## 2023 Versys-X 300 PARTS LIST

### Engine Cover(s)

| ITEM NAME                           | PART NUMBER | QUANTITY |
|-------------------------------------|-------------|----------|
| CLAMP (Ref # 92173)                 | 92173-0833  | 2        |
| CLAMP (Ref # 92173A)                | 92173-1811  | 3        |
| BOLT-FLANGED-SMALL,6X12 (Ref # 132) | 132BA0612   | 2        |